

# PRODUCT INFORMATION PACKET



Model No: SA1056

Catalog No: SA1056

1/2 HP Fan Coil / Room Air Conditioner Motor, 1075 RPM, 3 Speed, 208-230 Volts, 48 Frame, Semi Enclosed  
Fan Coil / Room Air Conditioner Motors



Regal and Century are trademarks of Regal Beloit Corporation or one of its affiliated companies.  
©2020 Regal Beloit Corporation, All Rights Reserved. MC017097E

REGAL



**Nameplate Specifications**

Output HP	1/2 Hp	Output KW	0.37 kW
Frequency	60 Hz	Voltage	208-230 V
Current	2.7 A	Speed	1075 rpm
Service Factor	1	Phase	1
Duty	Air Over	Insulation Class	B
Frame	48Y	Enclosure	Semi Enclosed
Thermal Protection	Automatic	Ambient Temperature	60 °C
UL	Recognized	CSA	Y
CE	N		

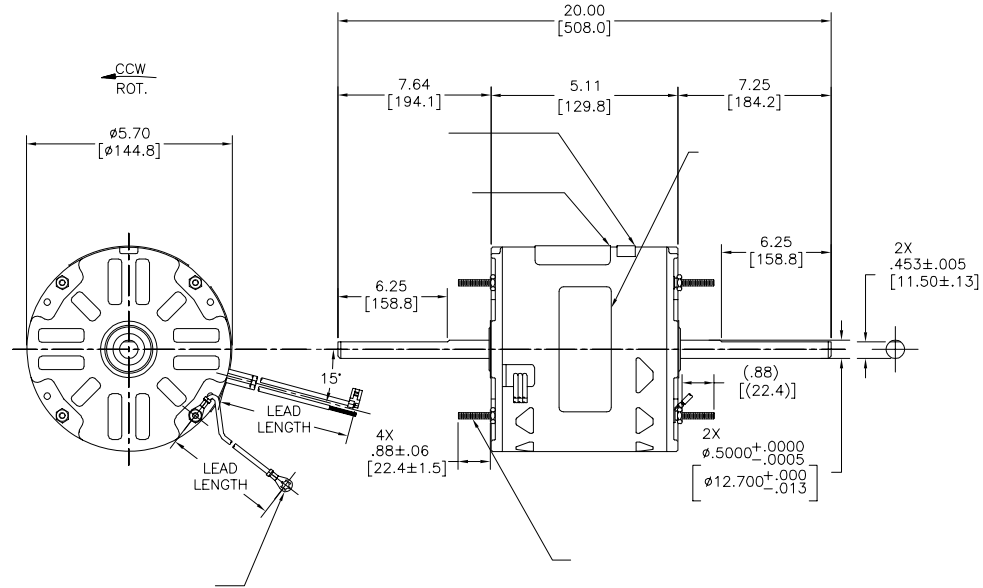
**Technical Specifications**

Electrical Type	Permanent Split Capacitor	Starting Method	Across The Line
Poles	6	Rotation	Counterclockwise Lead End
Mounting	Extended Studs	Motor Orientation	Horizontal
Drive End Bearing	Sleeve	Opp Drive End Bearing	Sleeve
Frame Material	Rolled Steel	Shaft Type	Flat
Overall Length	20.00 in	Frame Length	4.50 in
Shaft Diameter	0.500 in	Shaft Extension	7.7X.5X7.3 in
Outline Drawing	SA1056-S01	Connection Drawing	614131-106

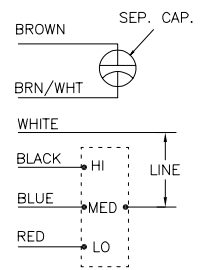
This is an uncontrolled document once printed or downloaded and is subject to change without notice. Date Created:22/09/2020

4	3	2	1																												
<b>GENERAL INFORMATION:</b>  SHAFT RUNOUT: .001[.03] T.I.R. PER INCH LENGTH OF EXTENSION. END PLAY: .010[.25] TO .063[1.60] BEARINGS: SLEEVE MOUNTING POSITION: HORIZONTAL  <b>ELECTRICAL DATA:</b>  OVERLOAD PROTECTOR: AUTOMATIC RESET (T.I. 7AM 036) LEADS: NO. 18 GA., .06[1.5] THK. PVC 105°C INSUL. GROUND LEAD: NO. 18 GA., .03[.8] THK., (GREEN) INSUL.		<table border="1" style="width:100%; border-collapse: collapse;"> <tr> <th>REV</th> <th>ECO</th> <th>REV BY</th> <th>DATE</th> <th>APPD</th> <th>DATE</th> </tr> <tr> <td>D</td> <td>ECO-0024313</td> <td>C.ZHANG</td> <td>02-16-2012</td> <td>B.C.SHEN</td> <td>02-16-2011</td> </tr> </table>		REV	ECO	REV BY	DATE	APPD	DATE	D	ECO-0024313	C.ZHANG	02-16-2012	B.C.SHEN	02-16-2011																
REV	ECO	REV BY	DATE	APPD	DATE																										
D	ECO-0024313	C.ZHANG	02-16-2012	B.C.SHEN	02-16-2011																										
<table border="1" style="width:100%; border-collapse: collapse;"> <tr> <th>NAMEPLATE DATA:</th> <th>EXTERNAL CONNECTION DIAGRAM</th> </tr> <tr> <td>                     MODEL NO.: F48E66A01                      CUST. P/N: SA1056                      HP: 1/2                      ROT.: CCWLE                      RPM: 1075/3 SPD.                      TYPE: UF                      FRAME: 48Y                      VOLTS: 208-230                      PH: 1                      AMPS: 2.7(3.4 MAX.)                      HZ: 60                      INS.: B                      AMB.: 60° C                      DUTY: AIR OVER                      CAP.: 7.5 MFD/370V                      ENCL: SEMI-ENCL.                      CSA LOGO                      UL LOGO                      THERMALLY PROTECTED                 </td> <td> </td> </tr> </table>		NAMEPLATE DATA:	EXTERNAL CONNECTION DIAGRAM	MODEL NO.: F48E66A01 CUST. P/N: SA1056 HP: 1/2 ROT.: CCWLE RPM: 1075/3 SPD. TYPE: UF FRAME: 48Y VOLTS: 208-230 PH: 1 AMPS: 2.7(3.4 MAX.) HZ: 60 INS.: B AMB.: 60° C DUTY: AIR OVER CAP.: 7.5 MFD/370V ENCL: SEMI-ENCL. CSA LOGO UL LOGO THERMALLY PROTECTED		<table border="1" style="width:100%; border-collapse: collapse;"> <tr> <th>GREEN(GRD)</th> <th>29.0/31.0 [737/787]</th> <th>#10 EYELET</th> </tr> <tr> <th>BROWN/WHITE</th> <th>35.0/37.0 [889/940]</th> <th>.25[6.4] FLAG</th> </tr> <tr> <th>BROWN</th> <th>35.0/37.0 [889/940]</th> <th>.25[6.4] FLAG</th> </tr> <tr> <th>WHITE</th> <th>35.0/37.0 [889/940]</th> <th>.60[15.2] SKIN</th> </tr> <tr> <th>BLACK</th> <th>35.0/37.0 [889/940]</th> <th>.60[15.2] SKIN</th> </tr> <tr> <th>BLUE</th> <th>35.0/37.0 [889/940]</th> <th>.60[15.2] SKIN</th> </tr> <tr> <th>RED</th> <th>35.0/37.0 [889/940]</th> <th>.60[15.2] SKIN</th> </tr> <tr> <th>COLOR</th> <th>LENGTH</th> <th>TERMINAL OR STRIP LENGTH</th> </tr> </table>		GREEN(GRD)	29.0/31.0 [737/787]	#10 EYELET	BROWN/WHITE	35.0/37.0 [889/940]	.25[6.4] FLAG	BROWN	35.0/37.0 [889/940]	.25[6.4] FLAG	WHITE	35.0/37.0 [889/940]	.60[15.2] SKIN	BLACK	35.0/37.0 [889/940]	.60[15.2] SKIN	BLUE	35.0/37.0 [889/940]	.60[15.2] SKIN	RED	35.0/37.0 [889/940]	.60[15.2] SKIN	COLOR	LENGTH	TERMINAL OR STRIP LENGTH
NAMEPLATE DATA:	EXTERNAL CONNECTION DIAGRAM																														
MODEL NO.: F48E66A01 CUST. P/N: SA1056 HP: 1/2 ROT.: CCWLE RPM: 1075/3 SPD. TYPE: UF FRAME: 48Y VOLTS: 208-230 PH: 1 AMPS: 2.7(3.4 MAX.) HZ: 60 INS.: B AMB.: 60° C DUTY: AIR OVER CAP.: 7.5 MFD/370V ENCL: SEMI-ENCL. CSA LOGO UL LOGO THERMALLY PROTECTED																															
GREEN(GRD)	29.0/31.0 [737/787]	#10 EYELET																													
BROWN/WHITE	35.0/37.0 [889/940]	.25[6.4] FLAG																													
BROWN	35.0/37.0 [889/940]	.25[6.4] FLAG																													
WHITE	35.0/37.0 [889/940]	.60[15.2] SKIN																													
BLACK	35.0/37.0 [889/940]	.60[15.2] SKIN																													
BLUE	35.0/37.0 [889/940]	.60[15.2] SKIN																													
RED	35.0/37.0 [889/940]	.60[15.2] SKIN																													
COLOR	LENGTH	TERMINAL OR STRIP LENGTH																													
<table border="1" style="width:100%; border-collapse: collapse;"> <tr> <th>PERFORMANCE CURVE NO.</th> <th>TORQUE @ 1100 RPM (25°C)</th> <th>APPROVED SAMPLE</th> <th>UL COMPONENT FILE #</th> <th>CCN #</th> <th>CSA FILE #</th> <th>CLASS #</th> </tr> <tr> <td>C23004</td> <td>42.5 OZ. FT.</td> <td>EX11257</td> <td>E46412</td> <td>PRGY2</td> <td>LR43341</td> <td>4211-01</td> </tr> </table>		PERFORMANCE CURVE NO.	TORQUE @ 1100 RPM (25°C)	APPROVED SAMPLE	UL COMPONENT FILE #	CCN #	CSA FILE #	CLASS #	C23004	42.5 OZ. FT.	EX11257	E46412	PRGY2	LR43341	4211-01	<table border="1" style="width:100%; border-collapse: collapse;"> <tr> <th>MAIN FRAME - OLE</th> <th>SEMI-ENCLOSED</th> </tr> <tr> <th>END FRAME - OLE</th> <th>OPEN</th> </tr> <tr> <th>MAIN FRAME - LE</th> <th>SEMI-ENCLOSED</th> </tr> <tr> <th>END FRAME - LE</th> <th>OPEN</th> </tr> </table>		MAIN FRAME - OLE	SEMI-ENCLOSED	END FRAME - OLE	OPEN	MAIN FRAME - LE	SEMI-ENCLOSED	END FRAME - LE	OPEN						
PERFORMANCE CURVE NO.	TORQUE @ 1100 RPM (25°C)	APPROVED SAMPLE	UL COMPONENT FILE #	CCN #	CSA FILE #	CLASS #																									
C23004	42.5 OZ. FT.	EX11257	E46412	PRGY2	LR43341	4211-01																									
MAIN FRAME - OLE	SEMI-ENCLOSED																														
END FRAME - OLE	OPEN																														
MAIN FRAME - LE	SEMI-ENCLOSED																														
END FRAME - LE	OPEN																														
<b>GEOMETRIC CHARACTERISTICS &amp; SYMBOLS</b> ▽ FLATNESS - STRAIGHTNESS ∠ ANGULARITY ⊥ PERPENDICULARITY (SQUARENESS) ∥ PARALLELISM ○ ROUNDNESS (CIRCULARITY) ⌀ CYLINDRICITY ~ PROFILE OF ANY SURFACE ~ PROFILE OF ANY LINE † RUNOUT ● TRUE POSITION ⊙ CONCENTRICITY = SYMMETRY ASME Y14.5M 1994		REGAL-BELOIT CORPORATION (RBC) PROVIDES TECHNICAL ASSISTANCE TO OUR CUSTOMERS IN SEVERAL AREAS. SINCE RBC DOES NOT RECEIVE ALL DATA CONCERNING THE USE AND APPLICATION OF THE MOTOR, THE SUITABILITY OF THE MOTOR FOR THE APPLICATION MUST BE DETERMINED BY THE CUSTOMER.  DIMENSIONS WITHOUT TOLERANCES ARE FOR REFERENCE ONLY.																													
		<table border="1" style="width:100%; border-collapse: collapse;"> <tr> <th>DR BY:</th> <td>C.ZHANG</td> <td>02-16-2012</td> </tr> <tr> <th>APPD:</th> <td>B.C.SHEN</td> <td>02-16-2012</td> </tr> <tr> <th>THIRD ANGLE PROJECTION</th> <td colspan="2"> </td> </tr> <tr> <th>EDS DATE</th> <td>11-11-2011</td> <td></td> </tr> <tr> <th>FORMAT REV</th> <td>G</td> <td></td> </tr> </table>		DR BY:	C.ZHANG	02-16-2012	APPD:	B.C.SHEN	02-16-2012	THIRD ANGLE PROJECTION			EDS DATE	11-11-2011		FORMAT REV	G														
DR BY:	C.ZHANG	02-16-2012																													
APPD:	B.C.SHEN	02-16-2012																													
THIRD ANGLE PROJECTION																															
EDS DATE	11-11-2011																														
FORMAT REV	G																														
		<table border="1" style="width:100%; border-collapse: collapse;"> <tr> <th>DESCRIPTION</th> <td colspan="2">                  MODEL-RFHP-48FR                  OUTLINE             </td> </tr> <tr> <th>SIZE</th> <td>C</td> <td>DWG NO SA1056</td> </tr> <tr> <th>SCALE</th> <td>NONE</td> <td>SHEET 1</td> </tr> </table>		DESCRIPTION	MODEL-RFHP-48FR OUTLINE		SIZE	C	DWG NO SA1056	SCALE	NONE	SHEET 1																			
DESCRIPTION	MODEL-RFHP-48FR OUTLINE																														
SIZE	C	DWG NO SA1056																													
SCALE	NONE	SHEET 1																													
4	3	2	1																												

REVISION:	ECO	REVISADO POR:	FECHA:	APROBADO POR:	FECHA:
D	ECO-0024313	C.ZHANG	02-16-2012	B.C.SHEN	02-16-2011



MODEL NO.: F48E66A01  
 CUST. P/N: SA1056  
 HP: 1/2  
 ROT.: CCWLE  
 RPM: 1075/3 SPD.  
 TYPE: UF  
 FRAME: 48Y  
 VOLTS: 208-230  
 PH: 1  
 AMPS: 2.7(3.4 MAX.)  
 HZ: 60  
 INS.: B  
 AMB.: 60° C  
 DUTY: AIR OVER  
 CAP.: 7.5 MFD/370V  
 ENCL: SEMI-ENCL.  
 CSA LOGO  
 UL LOGO  
 THERMALLY PROTECTED



614131-106

	29.0/31.0	
	[737/787]	
	35.0/37.0	
	[889/940]	
	35.0/37.0	
	[889/940]	
	35.0/37.0	
	[889/940]	
	35.0/37.0	
	[889/940]	
	35.0/37.0	
	[889/940]	

C23004	42.5 OZ. FT.	EX11257	E46412	PRGY2	LR43341	4211-01
--------	--------------	---------	--------	-------	---------	---------

DISTRIBUTION SERVICE

CARACTERÍSTICAS DE GEOMETRIA Y SIMBOLOS  
 ▽ PLANICIDAD  
 ⊥ RECTITUD  
 ∠ ANGULARIDAD  
 ⊥ PERPENDICULARIDAD (A ESQUADRA)  
 // PARALELISMO  
 ○ REDONDEZ (CIRCULARIDAD)  
 ∅ CILINDRICIDAD  
 ⊖ PERFIL DE CUALQUIER SUPERFICIE  
 ⊖ PERFIL DE CUALQUIER LINEA  
 † VARIACION  
 ⊕ POSICION REAL  
 ⊙ CONCENTRICIDAD  
 = SIMETRIA ASME Y14.5M 1994

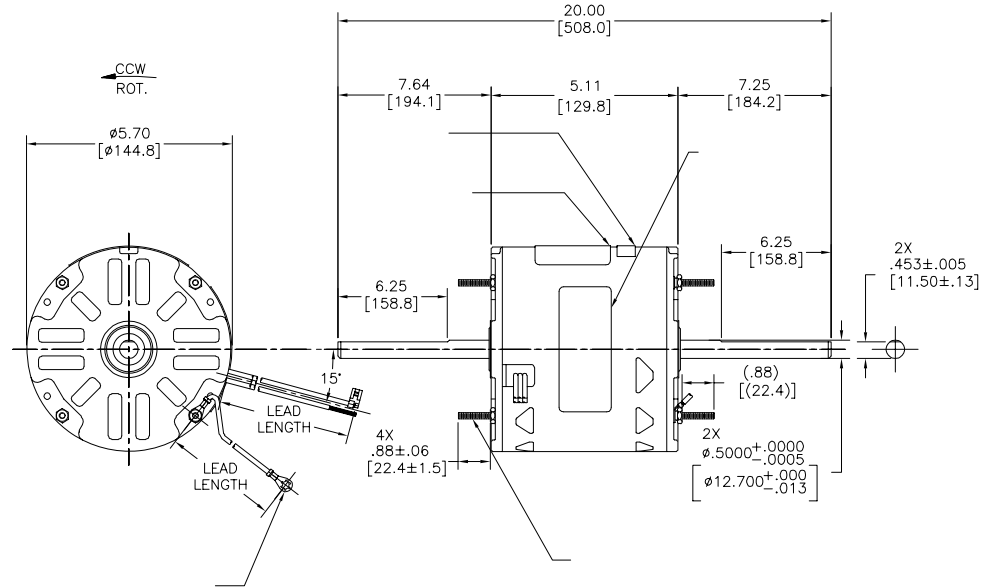
REGAL-BELOIT CORPORATION (RBC)  
 PROVEE ASISTENCIA TECNICA A  
 NUESTROS CLIENTES EN VARIAS AREAS.  
 DESDE QUE RBC NO RECIBE TODOS  
 LOS DATOS EN RELACION AL USO Y A  
 LA APLICACION DEL MOTOR, LA  
 APLICACION ADECUADA DEL MOTOR  
 DEBE SER DETERMINADA POR EL  
 CLIENTE.

DIMENSIONES SIN TOLERANCIA SON  
 DE REFERENCIA SOLAMENTE

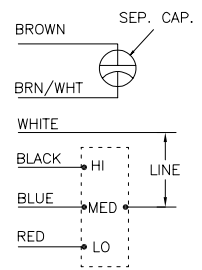
DIBUJADO POR: C.ZHANG  
 02-16-2012  
 APROBADO POR: B.C.SHEN  
 02-16-2012  
 TERCER ANGULO DE PROYECCION  
 CONFIDENCIAL: ESTE DIBUJO Y SU INFORMACION SON PROPIEDAD DE USO EXCLUSIVO Y CONFIDENCIAL DE REGAL-BELOIT CORPORATION. Y NO DEBERAN SER REVELADOS, DUPLICADOS, DISTRIBUIDOS O USARSE DE OTRA MANERA SIN EL CONSENTIMIENTO ESCRITO DE REGAL-BELOIT CORPORATION. -TODOS LOS DERECHOS RESERVADOS.

DESCRIPCION: MODEL-RFHP-48FR  
 OUTLINE  
 TAMANO: C NUMERO DE DIBUJO: SA1056  
 ESCALA: NONE HOJA: 1

版本	ECO	编制	日期	批准	日期
D	ECO-0024313	C.ZHANG	02-16-2012	B.C.SHEN	02-16-2011



MODEL NO.: F48E66A01  
 CUST. P/N: SA1056  
 HP: 1/2  
 ROT.: CCWLE  
 RPM: 1075/3 SPD.  
 TYPE: UF  
 FRAME: 48Y  
 VOLTS: 208-230  
 PH: 1  
 AMPS: 2.7(3.4 MAX.)  
 HZ: 60  
 INS.: B  
 AMB.: 60° C  
 DUTY: AIR OVER  
 CAP.: 7.5 MFD/370V  
 ENCL: SEMI-ENCL.  
 CSA LOGO  
 UL LOGO  
 THERMALLY PROTECTED



614131-106

	29.0/31.0	
	[737/787]	
	35.0/37.0	
	[889/940]	
	35.0/37.0	
	[889/940]	
	35.0/37.0	
	[889/940]	
	35.0/37.0	
	[889/940]	
	35.0/37.0	
	[889/940]	
	35.0/37.0	
	[889/940]	

C23004	42.5 OZ. FT.	EX11257	E46412	PRGY2	LR43341	4211-01
--------	--------------	---------	--------	-------	---------	---------

DISTRIBUTION SERVICE

- 形位公差
  - 平面度
  - 直线度
  - ∠ 倾斜度
  - ⊥ 垂直度
  - ∥ 平行度
  - 圆度
  - ⊙ 圆跳动
  - ⌒ 面轮廓度
  - ⌒ 线轮廓度
  - ↻ 圆跳动
  - ↻ 位置度
  - ↻ 对称度
- ASME Y14.5M 1994

REGAL-BELOIT CORPORATION (RBC) 在个别领域为客户提供技术支持。鉴于RBC未收到任何涉及电机使用和应用环境的数据，电机的适用性由客户自己决定。

未注公差尺寸仅供参考。

制图:	C.ZHANG	02-16-2012
批准:	B.C.SHEN	02-16-2012
第三角投影		图纸格式发布日期 11-11-2011
		图纸格式版本 C
机密: 本图纸及相关信息所有权归REGAL-BELOIT CORPORATION。未经REGAL-BELOIT CORPORATION书面授权, 不得泄露、复制、传播或作其他用途。--版权所有		

REGAL-BELOIT CORPORATION

名称: MODEL-RFHP-48FR OUTLINE

图幅: C 图号: SA1056

比例: NONE 页号: 1

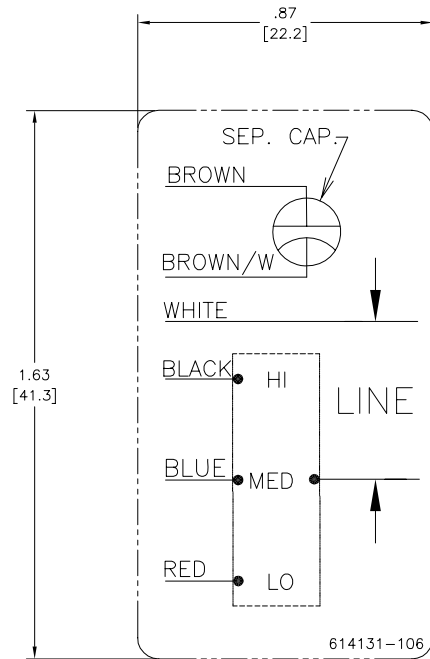
4

3

2

1

REV	ECO	REV BY	DATE	APPD	DATE
C	0019808	PZ	04-12-2011	Tiger.Wang	04-12-2011



NOTES:

1. FOR USE WITH 614129 OR 2513020-001 NAMEPLATE BLANKS
2. \_\_\_\_\_ INDICATES DIMENSION LIMITS

GEOMETRIC CHARACTERISTICS & SYMBOLS	
	FLATNESS
	STRAIGHTNESS
	ANGULARITY
	PERPENDICULARITY (SQUARENESS)
	PARALLELISM
	ROUNDNESS (CIRCULARITY)
	CYLINDRICITY
	PROFILE OF ANY SURFACE
	PROFILE OF ANY LINE
	RUNOUT
	TRUE POSITION
	CONCENTRICITY
	SYMMETRY

UNLESS OTHERWISE SPECIFIED DIM. TOLERANCES ARE AS FOLLOWS:	
INCH	±.1    .XX    .XXX    .XXXX
mm	±0.5    ±0.13    ±0.013
ANG. ±.50 DEG	
REMOVE BURRS & BREAK SHARP EDGES:	
INCH	.003-015
mm	0.1-0.4
CORNER FILLETS TO:	
INCH	.020
mm	0.5
MACHINE SURFACES:	
INCH	125
mm	3.2
METRIC DIMS. SHOWN IN [BRACKETS]	

DR BY:	PZ	04-12-2011
APPD:	Tiger.Wang	04-12-2011
THIRD ANGLE PROJECTION		EDS DATE 02-22-2011 FORMAT REV F
CONFIDENTIAL: THIS DRAWING AND ITS INFORMATION ARE THE EXCLUSIVE AND CONFIDENTIAL PROPERTY OF A.O. SMITH CORP. AND ARE NOT TO BE DISCLOSED, DUPLICATED, DISTRIBUTED OR OTHERWISE USED WITHOUT THE WRITTEN CONSENT OF A.O. SMITH CORP. -ALL RIGHTS RESERVED. ASME Y14.5M 1994		

	<b>ELECTRICAL PRODUCTS COMPANY</b> A DIVISION OF A.O. SMITH CORPORATION
DESCRIPTION CONN DIAGRAM-NAMEPLATE	
SIZE C	DWG NO 614131-106
SCALE NONE	SHEET 1

4

3

2

1

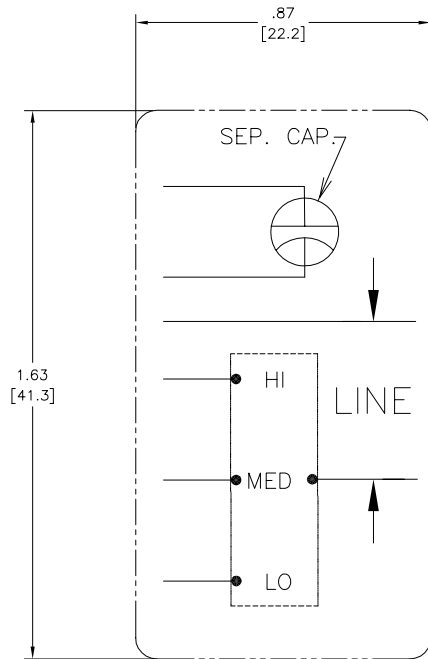
4

3

2

1

REVISION:	ECO	REVISADO POR:	FECHA:	APROBADO POR:	FECHA:
C	0019808	PZ	04-12-2011	Tiger.Wang	04-12-2011



CARACTERISTICAS DE GEOMETRIA Y SIMBOLOS ▽ PLANICIDAD — RECTITUD ∠ ANGULARIDAD ⊥ PERPENDICULARIDAD (A ESQUADRA) // PARALELISMO ○ REDONDEZ (CIRCULARIDAD) ⦶ CILINDRICIDAD ⊖ PERFIL DE CUALQUIER SUPERFICIE ∩ PERFIL DE CUALQUIER LINEA † VARIACION ⊕ POSICION REAL ⊙ CONCENTRICIDAD ≡ SIMETRIA	A MENOS QUE SE ESPECIFIQUE DE OTRA MANERA, LAS TOLERANCIAS DE LAS DIMS. SON LAS SIGUIENTES: PULG ±.1 ±.02 ±.005 ±.0005 mm ±0.5 ±0.13 ±0.013 ANG. ±50 GRADOS ELIMINAR REBABAS Y ORILLAS FILOSAS DEL BORDE. PULG .003-.015 mm 0.1-0.4 FILETEAR ESQUINA: PULG .020 mm 0.5 MAQUINAR SUPERFICIES PULG 125 mm 3.2 DIMS METRICAS MOSTRADAS [PARENTESIS]	DIBUJADO POR:	PZ	04-12-2011	ELECTRICAL PRODUCTS COMPANY A DIVISION OF A.O. SMITH CORPORATION
		APROBADO POR:	Tiger.Wang	04-12-2011	
TERCER ANGULO DE PROYECCION		FECHA EDS: 02-22-2011	REV. FORMATO: F	TAMAÑO: C	NUMERO DE DIBUJO: 614131-106
CONFIDENCIAL: ESTE DIBUJO Y SU INFORMACION SON PROPIEDAD DE USO EXCLUSIVO Y CONFIDENCIAL DE A.O.SMITH CORP. Y NO DEBERAN SER REVELADOS. DUPLICADOS, DISTRIBUIDOS O USARSE DE OTRA MANERA SIN EL CONSENTIMIENTO ESCRITO DE A.O. SMITH CORP. -TODOS LOS DERECHOS RESERVADOS.ASME Y14.5M 1994				ESCALA: NONE	HOJA: 1

4

3

2

1

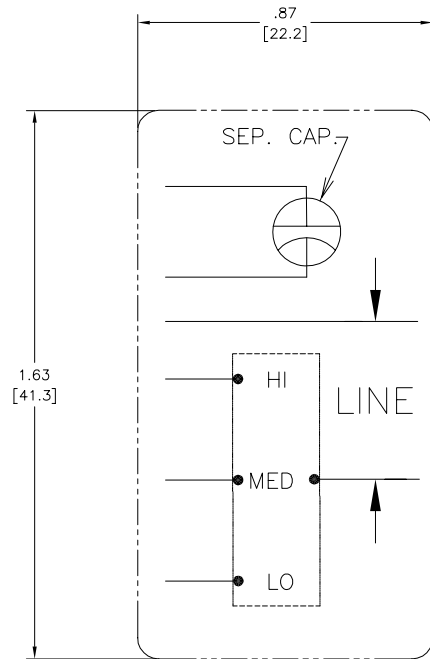
4

3

2

1

版本	ECO	编制	日期	批准	日期
C	0019808	PZ	04-12-2011	Tiger.Wang	04-12-2011



形位公差 □ 平面度 — 直线度 ∠ 倾斜度 ⊥ 垂直度 // 平行度 ○ 圆度 ⊙ 圆跳动 Ⓜ 面轮廓度 Ⓡ 线轮廓度 Ⓢ 圆跳动 Ⓣ 位置度 Ⓤ 同轴度 ≡ 对称度	除另有注明 尺寸公差如下： 英寸 X XX XXX XXXX 毫米 ±.1 ±.02 ±.005 ±.0005 角度 ±.50 度 清理毛刺和尖棱 英寸 .003-.015 毫米 0.1-0.4 内圆角 英寸 .020 毫米 0.5 表面粗糙度 英制 125 米制 3.2 米制尺寸显示在 [ ]	绘图： PZ 04-12-2011	
		批准： Tiger.Wang 04-12-2011	
		第三角投影	图幅 C 图号 614131-106
		机密：本图纸及相关信息所有权归A. O. SMITH公司所有。 未经A. O. SMITH公司书面授权，不得泄露、复制、传播或作 其他用途。—版权所有	比例 NONE 页号 1

4

3

2

1

ASME Y14.5M 1994