

# PRODUCT INFORMATION PACKET



Model No: FH1038  
Catalog No: FH1038  
1/3 HP Condenser Fan Motor, 825 RPM, 460 Volts, 48 Frame, Semi Enclosed  
Condenser Fans Motors



Regal and Century are trademarks of Regal Beloit Corporation or one of its affiliated companies.  
©2020 Regal Beloit Corporation, All Rights Reserved. MC017097E





**Nameplate Specifications**

Output HP	1/3 Hp	Output KW	0.25 kW
Frequency	60 Hz	Voltage	460 V
Current	0.9 A	Speed	825 rpm
Service Factor	1	Phase	1
Duty	Air Over	Insulation Class	B
Frame	48Y	Enclosure	Semi Enclosed
Thermal Protection	Automatic	Ambient Temperature	60 °C
UL	Recognized	CSA	Y
CE	N		

**Technical Specifications**

Electrical Type	Permanent Split Capacitor	Starting Method	Across The Line
Poles	8	Rotation	Reversible
Mounting	Extended Studs	Motor Orientation	Any
Drive End Bearing	Ball	Opp Drive End Bearing	Ball
Frame Material	Rolled Steel	Shaft Type	Double Flat
Overall Length	12.49 in	Frame Length	5.00 in
Shaft Diameter	0.500 in	Shaft Extension	6.4 in
Connection Drawing	614131-043	Outline Drawing	FH1038-S01

This is an uncontrolled document once printed or downloaded and is subject to change without notice. Date Created:22/09/2020

REV	ECO	REV BY	DATE	APPD	DATE
B	ECO-0024313	T.HUANG	02-14-2011	B.C.SHEN	02-14-2011

**GENERAL INFORMATION:**

SHAFT RUNOUT: .001[.03] T.I.R. PER INCH LENGTH OF EXTENSION

BEARINGS: BALL

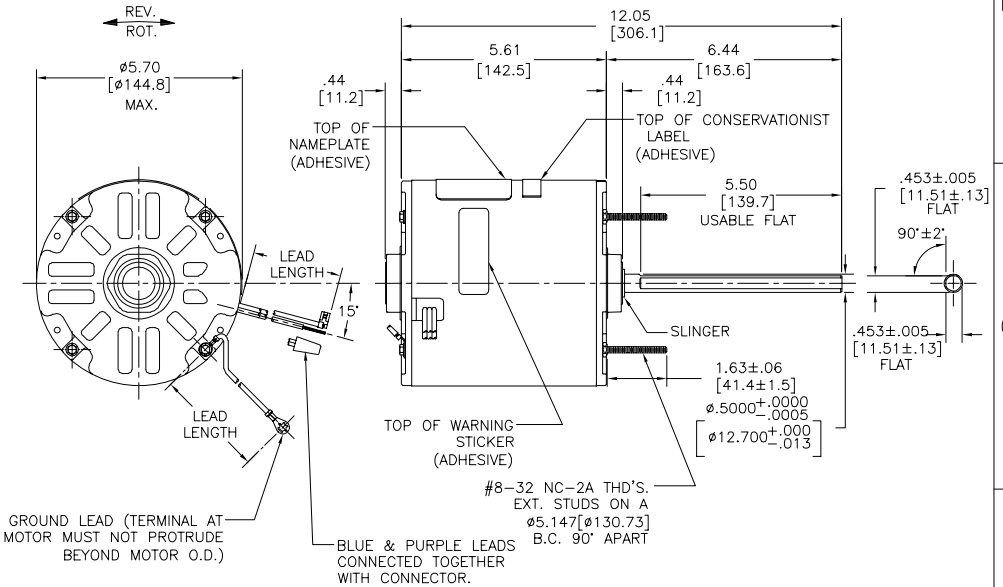
MOUNTING POSITION: HORIZONTAL OR VERTICAL SHAFT-UP

**ELECTRICAL DATA:**

OVERLOAD PROTECTOR: AUTOMATIC RESET (T.I. 7AM 036)

LEADS: NO. 18 GA., .06[1.5] THK. PVC 105°C INSUL.

GROUND LEAD: NO. 18 GA., .03[.8] THK., (GREEN) INSUL.



COLOR	LENGTH	TERMINAL OR STRIP LENGTH
GREEN (GRD)	12.0/13.0 [305/330]	#10 EYELET
BROWN	26.0/28.0 [660/711]	.25[6.4] FLAG
YELLOW	26.0/28.0 [660/711]	.75[19.1] STRIP
BLACK	26.0/28.0 [660/711]	.75[19.1] STRIP
PURPLE	26.0/28.0 [660/711]	.75[19.1] STRIP
BLUE	26.0/28.0 [660/711]	.75[19.1] STRIP

MAIN FRAME - OLE	ENCLOSED
END FRAME - OLE	ENCLOSED
MAIN FRAME - LE	ENCLOSED
END FRAME - LE	OPEN

CUSTOMER	DISTRIBUTION SERVICES
----------	-----------------------

NAMEPLATE DATA:	EXTERNAL CONNECTION DIAGRAM
MODEL NO.: F48N60A01 CUST. P/N: FH1038 HP: 1/3 ROT.: REVERSIBLE RPM: 825 TYPE: UF FRAME: 48Y VOLTS: 460 PH: 1 AMPS: 0.9(1.0 MAX.) HZ: 60 INS.: B AMB.: 60° C DUTY: AIR OVER CAP.: 10 MFD/370V ENCL: SEMI-ENCL UL LOGO CSA LOGO THERMALLY PROTECTED	SEP. CAP. BROWN YELLOW LINE BLACK BLUE PURPLE SHOWN FOR CCWLE ROT. FOR CWLE ROT. INTERCHANGE BLUE AND BROWN LEADS.

PERFORMANCE CURVE NO.	TORQUE @ 825 RPM (25°C)	APPROVED SAMPLE	UL COMPONENT FILE #	CCN #	CSA FILE #	CLASS #
C31854	33.83 OZ. FT.	92AC235	E46412	PRGY2	LR43341	4211-01

**GEOMETRIC CHARACTERISTICS & SYMBOLS**

- ▭ FLATNESS
- STRAIGHTNESS
- ∠ ANGULARITY
- ⊥ PERPENDICULARITY (SQUARENESS)
- ∥ PARALLELISM
- ROUNDNESS (CIRCULARITY)
- ⊘ CYLINDRICITY
- ⌒ PROFILE OF ANY SURFACE
- ⌒ PROFILE OF ANY LINE
- ⊕ RUNOUT
- ⊕ TRUE POSITION
- ⊙ CONCENTRICITY
- ≡ SYMMETRY

ASME Y14.5M 1994

REGAL-BELOIT CORPORATION (RBC) PROVIDES TECHNICAL ASSISTANCE TO OUR CUSTOMERS IN SEVERAL AREAS. SINCE RBC DOES NOT RECEIVE ALL DATA CONCERNING THE USE AND APPLICATION OF THE MOTOR, THE SUITABILITY OF THE MOTOR FOR THE APPLICATION MUST BE DETERMINED BY THE CUSTOMER.

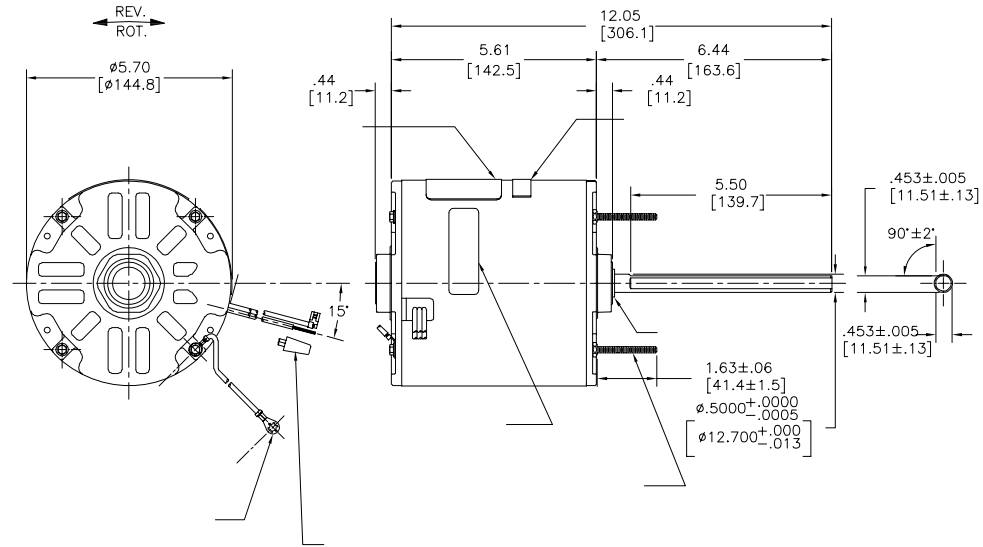
DIMENSIONS WITHOUT TOLERANCES ARE FOR REFERENCE ONLY.

DR BY:	T.HUANG	02-14-2011
APPD:	B.C.SHEN	02-14-2011
THRD ANGLE PROJECTION		EDS DATE 11-11-2011 FORMAT REV C

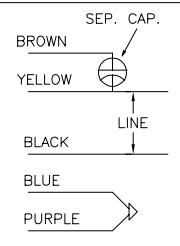
CONFIDENTIAL: THIS DRAWING AND ITS INFORMATION ARE THE EXCLUSIVE AND CONFIDENTIAL PROPERTY OF REGAL-BELOIT CORPORATION AND ARE NOT TO BE DISCLOSED, DUPLICATED, DISTRIBUTED OR OTHERWISE USED WITHOUT THE WRITTEN CONSENT OF REGAL-BELOIT CORPORATION. -ALL RIGHTS RESERVED.

DESCRIPTION	
MODEL-RFHP-48FR OUTLINE	
SIZE	DWG NO
C	FH1038
SCALE	SHEET
NONE	1

REVISION: ECO	REVISADO POR: T.HUANG	FECHA: 02-14-2011	APROBADO POR: B.C.SHEN	FECHA: 02-14-2011
B	ECO-0024313			



MODEL NO.: F48N60A01  
 CUST. P/N: FH1038  
 HP: 1/3  
 ROT.: REVERSIBLE  
 RPM: 825  
 TYPE: UF  
 FRAME: 48Y  
 VOLTS: 460  
 PH: 1  
 AMPS: 0.9(1.0 MAX.)  
 HZ: 60  
 INS.: B  
 AMB.: 60° C  
 DUTY: AIR OVER  
 CAP.: 10 MFD/370V  
 ENCL: SEMI-ENCL  
 UL LOGO  
 CSA LOGO  
 THERMALLY PROTECTED



SHOWN FOR CWLW  
 ROT. FOR CWLW  
 ROT. INTERCHANGE  
 BLUE AND BROWN  
 LEADS.

614131-043

	12.0/13.0	
	[305/330]	
	26.0/28.0	
	[660/711]	
	26.0/28.0	
	[660/711]	
	26.0/28.0	
	[660/711]	
	26.0/28.0	
	[660/711]	
	26.0/28.0	
	[660/711]	


DISTRIBUTION SERVICES

C31854	33.83 OZ. FT.	92AC235	E46412	PRGY2	LR43341	4211-01
--------	---------------	---------	--------	-------	---------	---------

CARACTERISTICAS DE GEOMETRIA Y SIMBOLOS  
 ▽ PLANICIDAD  
 — RECTITUD  
 ∠ ANGULARIDAD  
 ⊥ PERPENDICULARIDAD (A ESQUADRA)  
 // PARALELISMO  
 ○ REDONDEZ (CIRCULARIDAD)  
 A CILINDRICIDAD  
 ⊖ PERFIL DE CUALQUIER SUPERFICIE  
 ⊖ PERFIL DE CUALQUIER LINEA  
 † VARIACION  
 ⊕ POSICION REAL  
 ⊙ CONCENTRICIDAD  
 = SIMETRIA ASME Y14.5M 1994

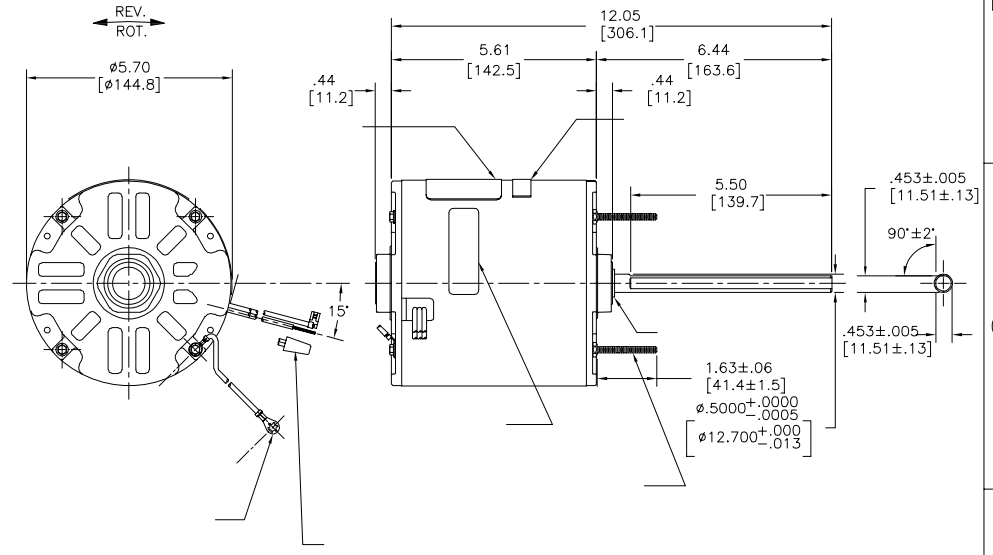
REGAL-BELOIT CORPORATION (RBC)  
 PROVEE ASISTENCIA TECNICA A  
 NUESTROS CLIENTES EN VARIAS AREAS.  
 DESDE QUE RBC NO RECIBE TODOS  
 LOS DATOS EN RELACION AL USO Y A  
 LA APLICACION DEL MOTOR, LA  
 APLICACION ADECUADA DEL MOTOR  
 DEBE SER DETERMINADA POR EL  
 CLIENTE.

DIMENSIONES SIN TOLERANCIA SON  
 DE REFERENCIA SOLAMENTE

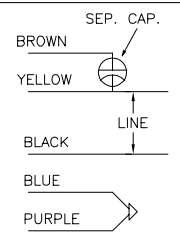
DIBUJADO POR: T.HUANG  
 02-14-2011  
 APROBADO POR: B.C.SHEN  
 02-14-2011  
 TERCER ANGULO DE PROYECCION  
 FECHA EDS: 11-11-2011  
 REV. FORMATO: G  
 CONFIDENCIAL: ESTE DIBUJO Y SU INFORMACION SON PROPIEDAD DE USO EXCLUSIVO Y CONFIDENCIAL DE REGAL-BELOIT CORPORATION. Y NO DEBERAN SER REVELADOS, DUPLICADOS, DISTRIBUIDOS O USARSE DE OTRA MANERA SIN EL CONSENTIMIENTO ESCRITO DE REGAL-BELOIT CORPORATION. -TODOS LOS DERECHOS RESERVADOS.

DESCRIPCION: MODEL-RFHP-48FR OUTLINE  
 TAMAÑO: C NUMERO DE DIBUJO: FH1038  
 ESCALA: NONE HOJA: 1

版本	ECO	编制	日期	批准	日期
B	ECO-0024313	T.HUANG	02-14-2011	B.C.SHEN	02-14-2011



MODEL NO.: F48N60A01  
 CUST. P/N: FH1038  
 HP: 1/3  
 ROT.: REVERSIBLE  
 RPM: 825  
 TYPE: UF  
 FRAME: 48Y  
 VOLTS: 460  
 PH: 1  
 AMPS: 0.9(1.0 MAX.)  
 HZ: 60  
 INS.: B  
 AMB.: 60° C  
 DUTY: AIR OVER  
 CAP.: 10 MFD/370V  
 ENCL: SEMI-ENCL  
 UL LOGO  
 CSA LOGO  
 THERMALLY PROTECTED



SHOWN FOR CCWLE  
 ROT. FOR CWLE  
 ROT. INTERCHANGE  
 BLUE AND BROWN  
 LEADS.

614131-043

	12.0/13.0	
	[305/330]	
	26.0/28.0	
	[660/711]	
	26.0/28.0	
	[660/711]	
	26.0/28.0	
	[660/711]	
	26.0/28.0	
	[660/711]	
	26.0/28.0	
	[660/711]	

C31854	33.83 OZ. FT.	92AC235	E46412	PRGY2	LR43341	4211-01
--------	---------------	---------	--------	-------	---------	---------

DISTRIBUTION SERVICES

形位公差	ASME Y14.5M 1994
□ 平面度	
— 直线度	
∠ 倾斜度	
⊥ 垂直度	
∥ 平行度	
○ 圆度	
⊙ 圆跳动	
⌒ 面轮廓度	
⌒ 线轮廓度	
↗ 圆跳动	
↗ 同轴度	
↗ 对称度	

REGAL-BELOIT CORPORATION (RBC) 在个别领域为客户提供技术支持。鉴于RBC未收到任何涉及电机使用和应用环境的数据，电机的适用性由客户自己决定。

未注公差尺寸仅供参考。

绘图:	T.HUANG	02-14-2011
批准:	B.C.SHEN	02-14-2011
第三角投影		图纸格式发布日期 11-11-2011 图纸格式版本 C
机密:	本图纸及相关信息所有权归REGAL-BELOIT CORPORATION。未经REGAL-BELOIT CORPORATION书面授权，不得泄露、复制、传播作其他用途。--版权所有	

REGAL-BELOIT CORPORATION

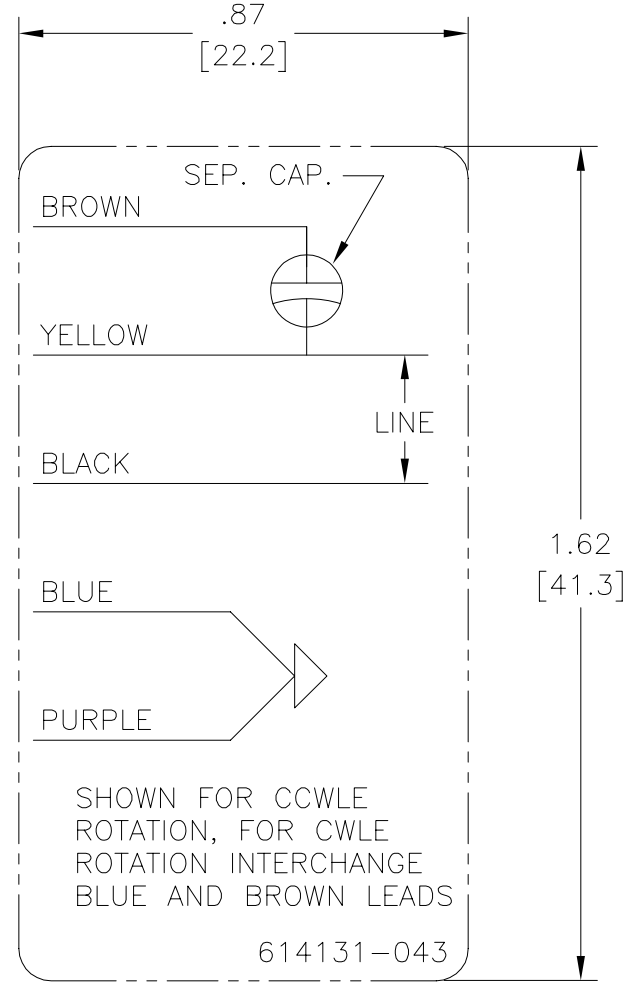
名称: MODEL-RFHP-48FR OUTLINE

图幅: C 图号: FH1038

比例: NONE 页号: 1

# Uncontrolled Copy

REV	ECO	REV BY	DATE	APPD	DATE
F	ECO-0023184	jrupert	11-04-2011	jrupert	11-04-2011

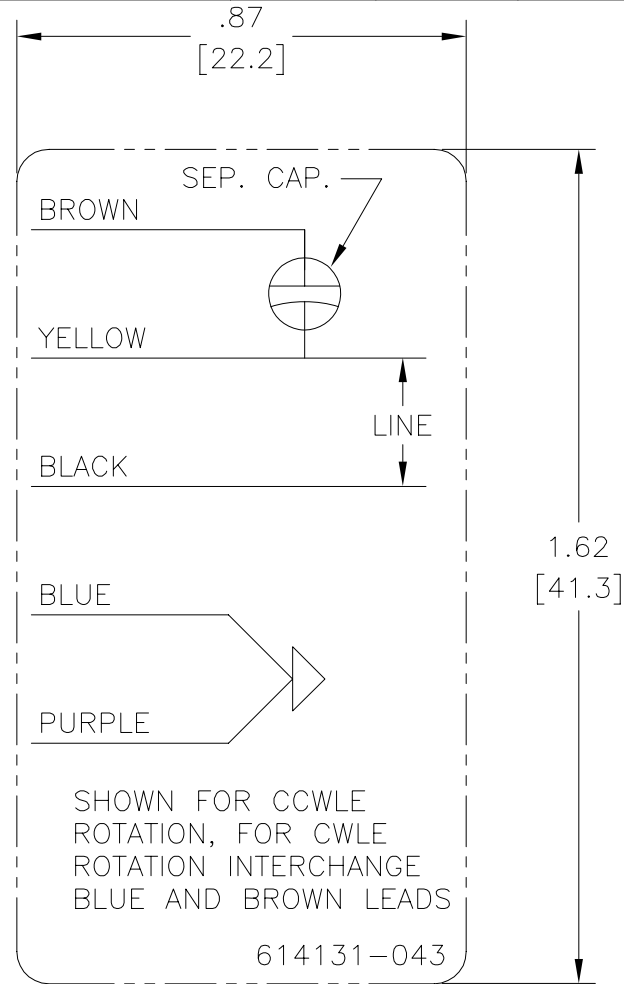


- NOTES:
1. FOR USE WITH 614129 NAMEPLATE BLANK
  2. — — — — — INDICATES DIMENSION LIMITS
  3. DIE TO BE MADE FROM MASTER SUPPLIED BY A. O. SMITH CORPORATION
  4. DIE MUST PRODUCE A LEGIBLE IMPRESSION.

<b>GEOMETRIC CHARACTERISTICS &amp; SYMBOLS</b> ▽ FLATNESS — STRAIGHTNESS ∠ ANGULARITY ⊥ PERPENDICULARITY (SQUARENESS) ∥ PARALLELISM ○ ROUNDNESS (CIRCULARITY) ∅ CYLINDRICITY △ PROFILE OF ANY SURFACE ▽ PROFILE OF ANY LINE ↗ RUNOUT ⊕ TRUE POSITION ⊙ CONCENTRICITY = SYMMETRY	UNLESS OTHERWISE SPECIFIED DIM. TOLERANCES ARE AS FOLLOWS: INCH X XX XXX XXXX ±.1 ±.02 ±.005 ±.0005 mm ±0.5 ±0.13 ±0.013 ANG. ±.50 DEG REMOVE BURRS & BREAK SHARP EDGES: INCH .003-.015 mm 0.1-0.4 CORNER FILLETS TO: INCH .020 mm 0.5 MACHINE SURFACES: INCH 125 mm 3.2 METRIC DIMS. SHOWN IN [BRACKETS]	DR BY:	11-04-2011	<b>ELECTRICAL PRODUCTS COMPANY</b> <small>A DIVISION OF A. O. SMITH CORPORATION</small>	
		APPD:	11-04-2011		DESCRIPTION CONN DIAGRAM NAMEPLATE
		THIRD ANGLE PROJECTION	EDS DATE 02-22-2008 FORMAT REV F		
		CONFIDENTIAL: THIS DRAWING AND ITS INFORMATION ARE THE EXCLUSIVE AND CONFIDENTIAL PROPERTY OF A.O. SMITH CORP. AND ARE NOT TO BE DISCLOSED, DUPLICATED, DISTRIBUTED OR OTHERWISE USED WITHOUT THE WRITTEN CONSENT OF A.O. SMITH CORP. -ALL RIGHTS RESERVED. ASME Y14.5M 1994			SIZE A
		SCALE NONE	SHEET 1		

# Uncontrolled Copy

REVISION:	ECO	REVISADO POR:	jrupert	FECHA:	11-04-2011	APROBADO POR:	jrupert	FECHA:	11-04-2011
F	ECO-0023184								



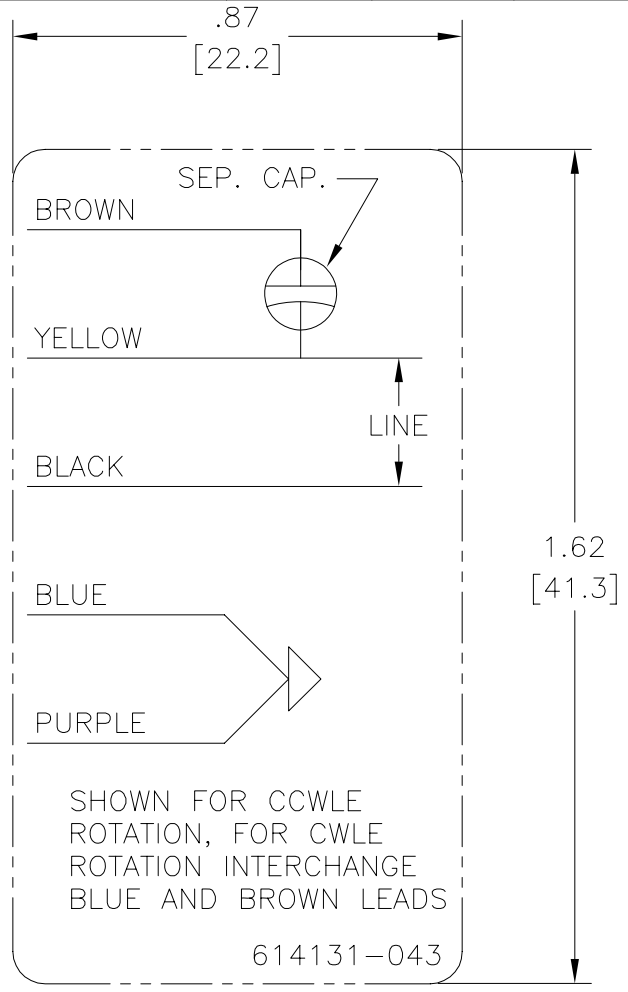
**NOTES:**

1. FOR USE WITH 614129 NAMEPLATE BLANK
2. — — — — — INDICATES DIMENSION LIMITS
3. DIE TO BE MADE FROM MASTER SUPPLIED BY A. O. SMITH CORPORATION
4. DIE MUST PRODUCE A LEGIBLE IMPRESSION.

CARACTERISTICAS DE GEOMETRIA Y SIMBOLOS Z PLANICIDAD — RECTITUD < ANGULARIDAD ⊥ PERPENDICULARIDAD (A ESCUADRA) // PARALELISMO ○ REDONDEZ (CIRCULARIDAD) R CILINDRICIDAD △ PERFIL DE CUALQUIER SUPERFICIE ▽ PERFIL DE CUALQUIER LINEA ↗ VARIACION ⊕ POSICION REAL ⊙ CONCENTRICIDAD = SIMETRIA	A MENOS QUE SE ESPECIFIQUE DE OTRA MANERA, LAS TOLERANCIAS DE LAS DIMS. SON LAS SIGUIENTES: X XX XXX XXXX PULG ±.1 ±.02 ±.005 ±.0005 mm ±0.5 ±0.13 ±0.013 ANG. ±.50 GRADOS ELIMINAR REBABAS Y ORILLAS FILOSAS DEL BORDE. PULG .003-.015 mm 0.1-0.4 FILETEAR ESQUINA: PULG .020 mm 0.5 MAQUINAR SUPERFICIES PULG 125 mm 3.2 DIMS METRICAS MOSTRADAS [PARENTESIS]	DIBUJADO POR: jrupert 11-04-2011 APROBADO POR: jrupert 11-04-2011 TERCER ANGULO DE PROYECCION FECHA EDS: 02-22-2008 REV. FORMATO: F	<b>ELECTRICAL PRODUCTS COMPANY</b> <small>A DIVISION OF A. O. SMITH CORPORATION</small>	DESCRIPCION: CONN DIAGRAM NAMEPLATE TAMANO: A NUMERO DE DIBUJO: 614131-043 ESCALA: NONE HOJA: 1
	CONFIDENCIAL: ESTE DIBUJO Y SU INFORMACION SON PROPIEDAD DE USO EXCLUSIVO Y CONFIDENCIAL DE A.O.SMITH CORP. Y NO DEBERAN SER REVELADOS, DUPLICADOS, DISTRIBUIDOS O USARSE DE OTRA MANERA SIN EL CONSENTIMIENTO ESCRITO DE A.O. SMITH CORP. -TODOS LOS DERECHOS RESERVADOS.ASME Y14.5M 1994			

# Uncontrolled Copy

版本	ECO	编制	日期	批准	日期
F	ECO-0023184	jrupert	11-04-2011	jrupert	11-04-2011



**NOTES:**

1. FOR USE WITH 614129 NAMEPLATE BLANK
2. — — — — — INDICATES DIMENSION LIMITS
3. DIE TO BE MADE FROM MASTER SUPPLIED BY A. O. SMITH CORPORATION
4. DIE MUST PRODUCE A LEGIBLE IMPRESSION.

形位公差	□ 平面度	— 直线度	∠ 倾斜度	⊥ 垂直度	∥ 平行度	○ 圆度	⊘ 圆柱度	⊖ 面轮廓度	⊖ 线轮廓度	↗ 圆跳动	⊖ 位置度	⊖ 同轴度	≡ 对称度
------	-------	-------	-------	-------	-------	------	-------	--------	--------	-------	-------	-------	-------

除另有注明 尺寸公差如下:	
英寸	X XX XXX XXXX
±.1 ±.02 ±.005 ±.0005	
毫米	±0.5 ±0.13 ±0.013
角度	±.50 度
清理毛刺和尖棱	
英寸	.003-.015 毫米 0.1-0.4
内圆角	
英寸	.020 毫米 0.5
表面粗糙度	
英制	125 米制 3.2
米制尺寸显示在 [ ]	

绘图:	jrupert	11-04-2011	
批准:	jrupert	11-04-2011	
第三角投影		图纸格式发布日期 02-22-2008	名称
		图纸格式版本 F	CONN DIAGRAM NAMEPLATE
机密: 本图纸及相关信息所有权归A. O. SMITH公司所有。未经A. O. SMITH公司书面授权, 不得泄露、复制、传播或作其他用途。--版权所有			
		ASME Y14.5M 1994	图号
			614131-043
		比例	页号
		NONE	1

**ELECTRICAL PRODUCTS COMPANY**  
A DIVISION OF A. O. SMITH CORPORATION