

PRODUCT INFORMATION PACKET



Model No: SVB2034

Catalog No: SVB2034

10 HP 2 speed Evaporator Coil and Refrigeration Fan HVAC/R Motor, 1 phase, 1800/1200 RPM, 115 V, 56Z Frame, ODF
Evap Coil and Refrigeration Fan Motors



Regal and Century are trademarks of Regal Beloit Corporation or one of its affiliated companies.

©2020 Regal Beloit Corporation, All Rights Reserved. MC017097E





Nameplate Specifications

Output HP	1/3-1/10 Hp	Output KW	0.25 kW
Frequency	60 Hz	Voltage	115 V
Current	6.5/3.6 A	Speed	1725/1140 rpm
Service Factor	1	Phase	1
Duty	Continuous	Insulation Class	B
Frame	56Z	Enclosure	Open Drip Proof
Thermal Protection	Automatic	Ambient Temperature	40 °C
UL	Recognized	CSA	Y
CE	N		

Technical Specifications

Electrical Type	Split Phase	Starting Method	Across The Line
Poles	4/6	Rotation	Counterclockwise Lead End
Mounting	Resilient Base	Drive End Bearing	Ball
Opp Drive End Bearing	Ball	Frame Material	Rolled Steel
Shaft Type	Flat	Overall Length	9.45 in
Frame Length	5.80 in	Shaft Diameter	0.500 in
Shaft Extension	1.5 in		
Outline Drawing	SVB2034-S01	Connection Drawing	D0000500-001

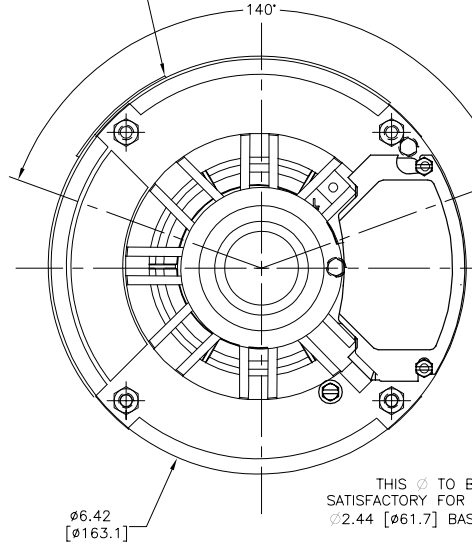
This is an uncontrolled document once printed or downloaded and is subject to change without notice. Date Created:14/10/2020

REV	ECO	REV BY	DATE	APPD	DATE
D	0025387	B.ZHAO	04-18-2012	B.SHEN	04-18-2012

NOTES:
 1. SPLIT IN STEEL RING TO FALL IN RANDOM LOCATION (BOTH ENDS)
 2. TERMINALS FOR CONNECTION ARE (.250[6.35] X .032[.81]) SPADE TYPE TERMINALS

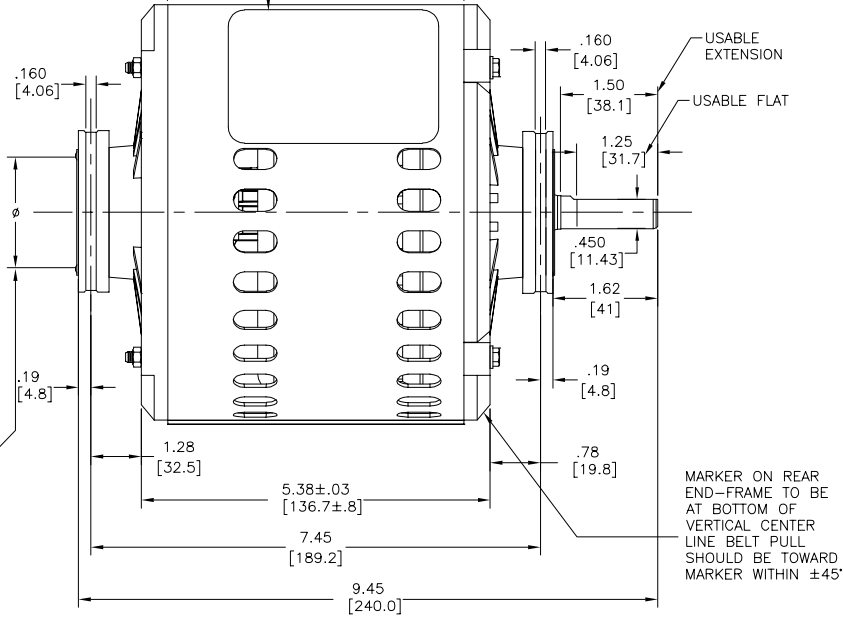
NO VENT HOLES IN THIS AREA OF MAIN FRAME

TOP OF ADHESIVE WARNING STICKER



(4.575)
 ([116.21])
 MAIN FRAME LENGTH

TOP OF ADHESIVE NAMEPLATE



GEOMETRIC CHARACTERISTICS & SYMBOLS	
□	FLATNESS
—	STRAIGHTNESS
∠	ANGULARITY
⊥	PERPENDICULARITY (SQUARENESS)
∥	PARALLELISM
○	ROUNDNESS (CIRCULARITY)
⊘	CYLINDRICITY
⌒	PROFILE OF ANY SURFACE
⌒	PROFILE OF ANY LINE
↗	RUNOUT
⊕	TRUE POSITION
◎	CONCENTRICITY
≡	SYMMETRY
ASME Y14.5M 1994	

UNLESS OTHERWISE SPECIFIED DIM. TOLERANCES ARE AS FOLLOWS:
INCH X XX XXX XXXX
mm ±.1 ±.02 ±.005 ±.0005
mm ±0.5 ±0.13 ±0.013
ANG. ±.50 DEG
REMOVE BURRS & BREAK SHARP EDGES:
INCH .003-.015 mm 0.1-.04
CORNER FILLETS TO:
INCH .020 mm 0.5
MACHINE SURFACES:
INCH 125 mm 3.2
METRIC DIMS. SHOWN IN [BRACKETS]

DR BY:	
APPD:	
THIRD ANGLE PROJECTION	EDS DATE 11-11-2011 FORMAT REV C
CONFIDENTIAL: THIS DRAWING AND ITS INFORMATION ARE THE EXCLUSIVE AND CONFIDENTIAL PROPERTY OF REGAL-BELOIT CORPORATION AND ARE NOT TO BE DISCLOSED, DUPLICATED, DISTRIBUTED OR OTHERWISE USED WITHOUT THE WRITTEN CONSENT OF REGAL-BELOIT CORPORATION. -ALL RIGHTS RESERVED.	

DESCRIPTION	
OUTLINE	
SIZE	DWG NO
C	SVB2034
SCALE	SHEET
NONE	1

4

3

2

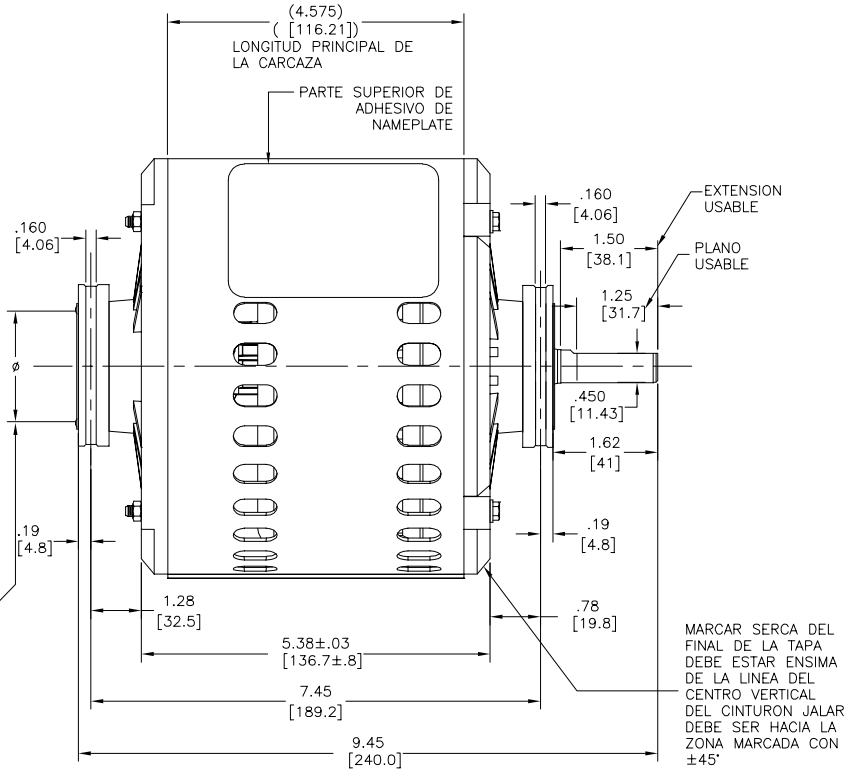
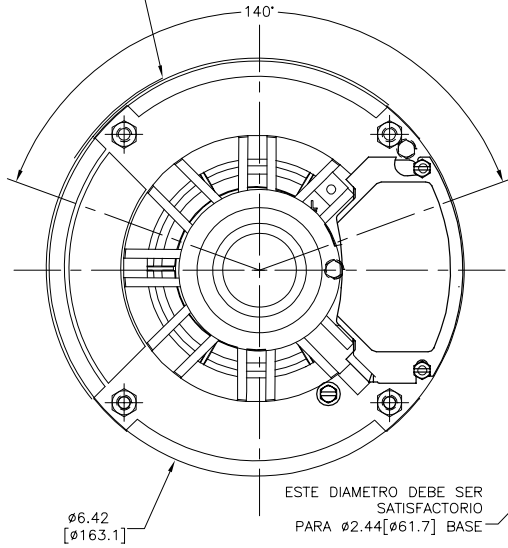
1

REVISION:	ECO	REVISADO POR:	FECHA:	APROBADO POR:	FECHA:
D	0025387	B.ZHAO	04-18-2012	B.SHEN	04-18-2012

- NOTAS:
 1. RAJAR EN ANILLO DE ACERO PARA CAER EN UNA LOCACION ALEATORIAMENTE EN AMBOS LADOS.
 2. TERMINALES PARA CONEXION SON (.250[6.35] X .032[.81]) TERMINAL TIPO ESPADA.

NO HORIFICIOS DE VENTILACION EN ESTA AREA DE LA CARCAZA

PARTE SUPERIOR DE LA ETIQUETA DE PRECAUSION



CARACTERISTICAS DE GEOMETRIA Y SIMBOLOS
□ PLANICIDAD
— RECTITUD
∠ ANGULARIDAD
⊥ PERPENDICULARIDAD (A ESQUADRA)
// PARALELISMO
○ REDONDEZ (CIRCULARIDAD)
⊘ CILINDRICIDAD
⌒ PERFIL DE CUALQUIER SUPERFICIE
⌒ PERFIL DE CUALQUIER LINEA
↑ VARIACION
⊕ POSICION REAL
⊙ CONCENTRICIDAD
⊖ SIMETRIA

A MENOS QUE SE ESPECIFIQUE DE OTRA MANERA, LAS TOLERANCIAS DE LAS DIMS: SON LAS SIGUIENTES:
X XX XXX XXXX
PULG ±.1 ±.02 ±.005 ±.0005
mm ±0.5 ±0.13 ±0.013
ANG. ±.50 GRADOS ±0.013
ELIMINAR REBABAS Y ORILLAS FILOSAS DEL BORDE.
PULG .003-.015 mm 0.1-0.4
FILETEAR ESQUINA: PULG .020 mm 0.5
MAQUINAR SUPERFICIES
PULG 125 mm 3.2
DIMS METRICAS MOSTRADAS [PARENTESIS]

DIBUJADO POR:	
APROBADO POR:	
TERCER ANGULO DE PROYECCION	FECHA EDS: 11-11-2011
	REV. FORMATO: C
CONFIDENCIAL: ESTE DIBUJO Y SU INFORMACION SON PROPIEDAD DE USO EXCLUSIVO Y CONFIDENCIAL DE REGAL-BELOIT CORPORATION. Y NO DEBERAN SER REVELADOS, DUPLICADOS, DISTRIBUIDOS O USARSE DE OTRA MANERA SIN EL CONSENTIMIENTO ESCRITO DE REGAL-BELOIT CORPORATION. -TODOS LOS DERECHOS RESERVADOS.	

DESCRIPCION:	OUTLINE
TAMAÑO: C	NUMERO DE DIBUJO: SVB2034
ESCALA: NONE	HOJA: 1

4

3

2

1

4

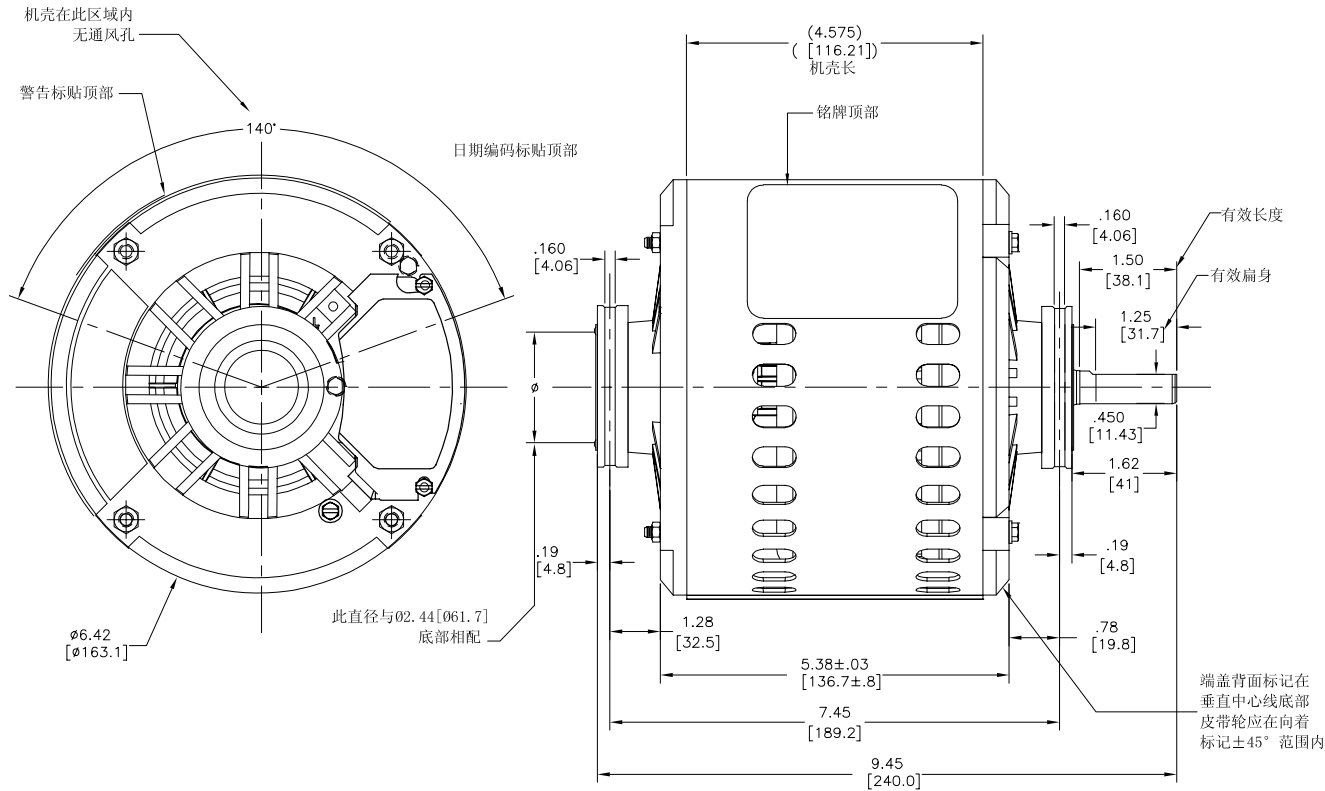
3

2

1

版本	ECO	编制	日期	批准	日期
D	0025387	B.ZHAO	04-18-2012	B.SHEN	04-18-2012

- 技术要求:
1. 钢环接缝在任意位置(两端)。
 2. 连接端子为(.250[6.35] X .032[.81])铲型端子。



形位公差	除另有注明
□ 平面度	尺寸公差如下:
— 直线度	英寸 X XX XXX XXXX
∠ 倾斜度	英寸 ±.1 ±.02 ±.005 ±.0005
⊥ 垂直度	毫米 ±0.5 ±0.13 ±0.013
∥ 平行度	角度 ±.50 度
○ 圆度	清理毛刺和尖棱
⊙ 圆跳动	英寸 .003-.015 毫米 0.1-0.4
⊙ 面轮廓度	内圆角
⊙ 线轮廓度	英寸 .020 毫米 0.5
⊙ 圆跳动	表面粗糙度
⊙ 位置度	英制 125 米制 3.2
⊙ 对称度	米制尺寸显示在[]

ASME Y14.5M 1994

除另有注明	除另有注明
尺寸公差如下:	尺寸公差如下:
英寸 X XX XXX XXXX	英寸 X XX XXX XXXX
英寸 ±.1 ±.02 ±.005 ±.0005	英寸 ±.1 ±.02 ±.005 ±.0005
毫米 ±0.5 ±0.13 ±0.013	毫米 ±0.5 ±0.13 ±0.013
角度 ±.50 度	角度 ±.50 度
清理毛刺和尖棱	清理毛刺和尖棱
英寸 .003-.015 毫米 0.1-0.4	英寸 .003-.015 毫米 0.1-0.4
内圆角	内圆角
英寸 .020 毫米 0.5	英寸 .020 毫米 0.5
表面粗糙度	表面粗糙度
英制 125 米制 3.2	英制 125 米制 3.2
米制尺寸显示在[]	米制尺寸显示在[]

绘图:	批准:
第三角投影	图纸格式发布日期 11-11-2011
图纸格式版本 C	图纸格式版本 C
机密: 本图纸及相关信息所有权归REGAL-BELOIT CORPORATION. 未经REGAL-BELOIT CORPORATION书面授权, 不得泄露、复制、传播或作其他用途。--版权所有	

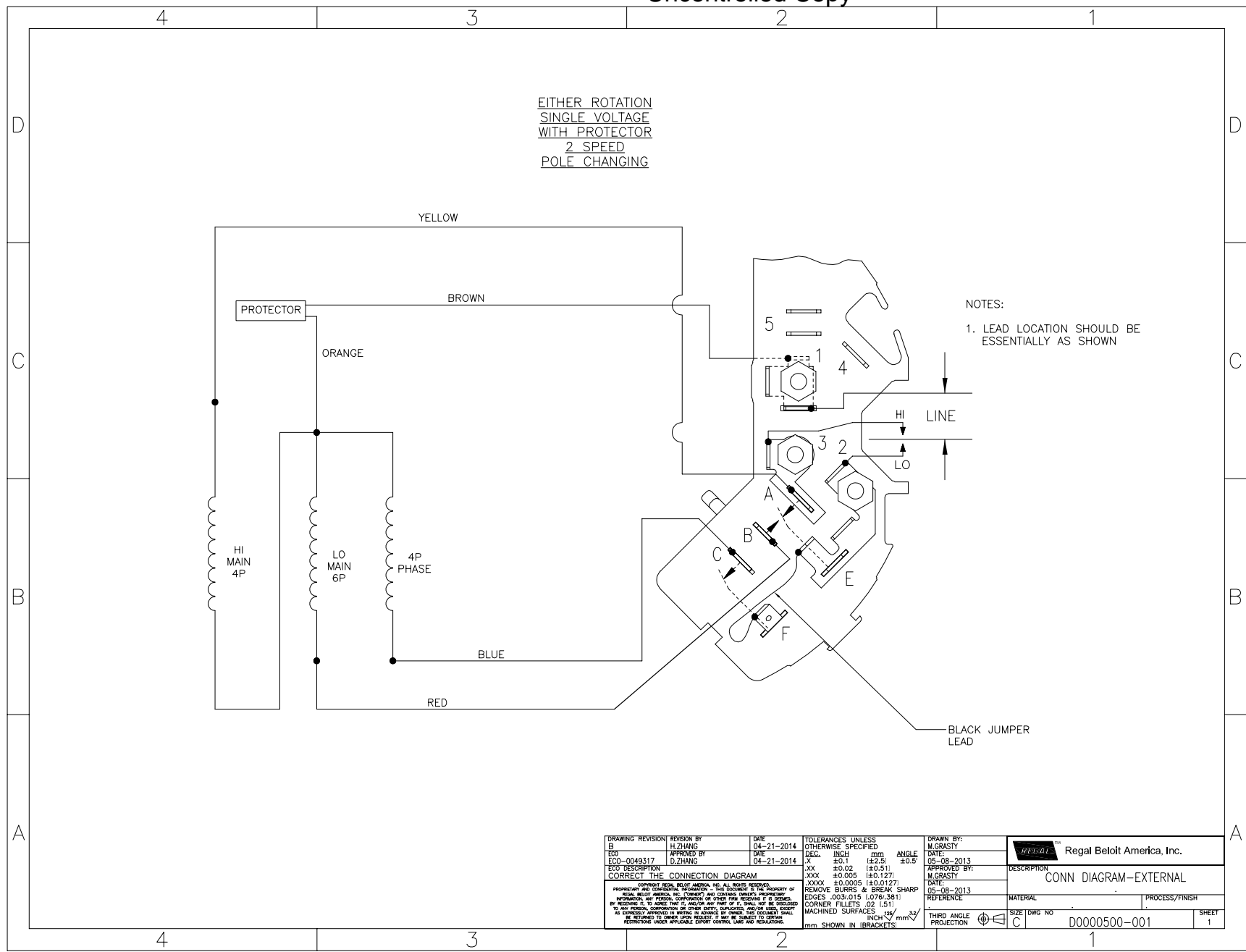
名称		OUTLINE	
外形图		外形图	
图幅	图号	C	SVB2034
比例	None	页号	1

4

3

2

1



EITHER ROTATION
SINGLE VOLTAGE
WITH PROTECTOR
2 SPEED
POLE CHANGING

NOTES:
1. LEAD LOCATION SHOULD BE
ESSENTIALLY AS SHOWN

DRAWING REVISION D	REVISION BY H.ZHANG	DATE 04-21-2014	TOLERANCES UNLESS OTHERWISE SPECIFIED	DRAWN BY: M.GRASY
ECC-0049317	APPROVED BY D.ZHANG	DATE 04-21-2014	DEC INCH mm ANGLE X ±0.1 (±2.5) ±0.5° XX ±0.02 (±0.51) XXX ±0.005 (±0.127)	DATE: 05-08-2013
ECC DESCRIPTION CORRECT THE CONNECTION DIAGRAM			REMOVE BURRS & BREAK SHARP EDGES .003(.015) (0.76(.381)) CORNER FILLETS .02 (1.51) MACHINED SURFACES .001/.002	APPROVED BY: M.GRASY
<small> COPYRIGHT REGAL BELOIT AMERICA, INC. ALL RIGHTS RESERVED. PROPRIETARY AND CONFIDENTIAL INFORMATION - THIS DOCUMENT IS THE PROPERTY OF REGAL BELOIT AMERICA, INC. IT IS TO BE USED ONLY FOR THE PURPOSES SPECIFIED HEREIN. NO PART OF THIS DOCUMENT IS TO BE REPRODUCED, COPIED, OR TRANSMITTED IN ANY FORM OR BY ANY MEANS, ELECTRONIC OR MECHANICAL, INCLUDING PHOTOCOPYING, RECORDING, OR BY ANY INFORMATION STORAGE AND RETRIEVAL SYSTEM, WITHOUT THE WRITTEN PERMISSION OF REGAL BELOIT AMERICA, INC. ANY UNAUTHORIZED USE OF THIS DOCUMENT IS PROHIBITED. THIS DOCUMENT IS TO BE RETURNED TO THE ISSUING OFFICE UPON COMPLETION OF THE WORK FOR WHICH IT WAS ISSUED. IT IS TO BE DESTROYED UPON REQUEST OF THE ISSUING OFFICE. </small>			DATE: 05-08-2013	DESCRIPTION CONN DIAGRAM-EXTERNAL
<small> REGAL BELOIT AMERICA, INC. 1000 W. MAIN ST. BELLOIT, WI 53510-1000 TEL: 608/785-1000 FAX: 608/785-1001 WWW.REGALBELOIT.COM </small>			MATERIAL PROCESS/FINISH REFERENCE THIRD ANGLE PROJECTION	SIZE (DWG NO) D0000500-001 SHEET 1