

# PRODUCT INFORMATION PACKET



Model No: FS1024S  
Catalog No: FS1024S  
1/4 HP Condenser Fan Motor, 1625 RPM, 208-230 Volts, 48 Frame, Semi Enclosed  
Condenser Fans Motors



Regal and Century are trademarks of Regal Beloit Corporation or one of its affiliated companies.  
©2020 Regal Beloit Corporation, All Rights Reserved. MC017097E





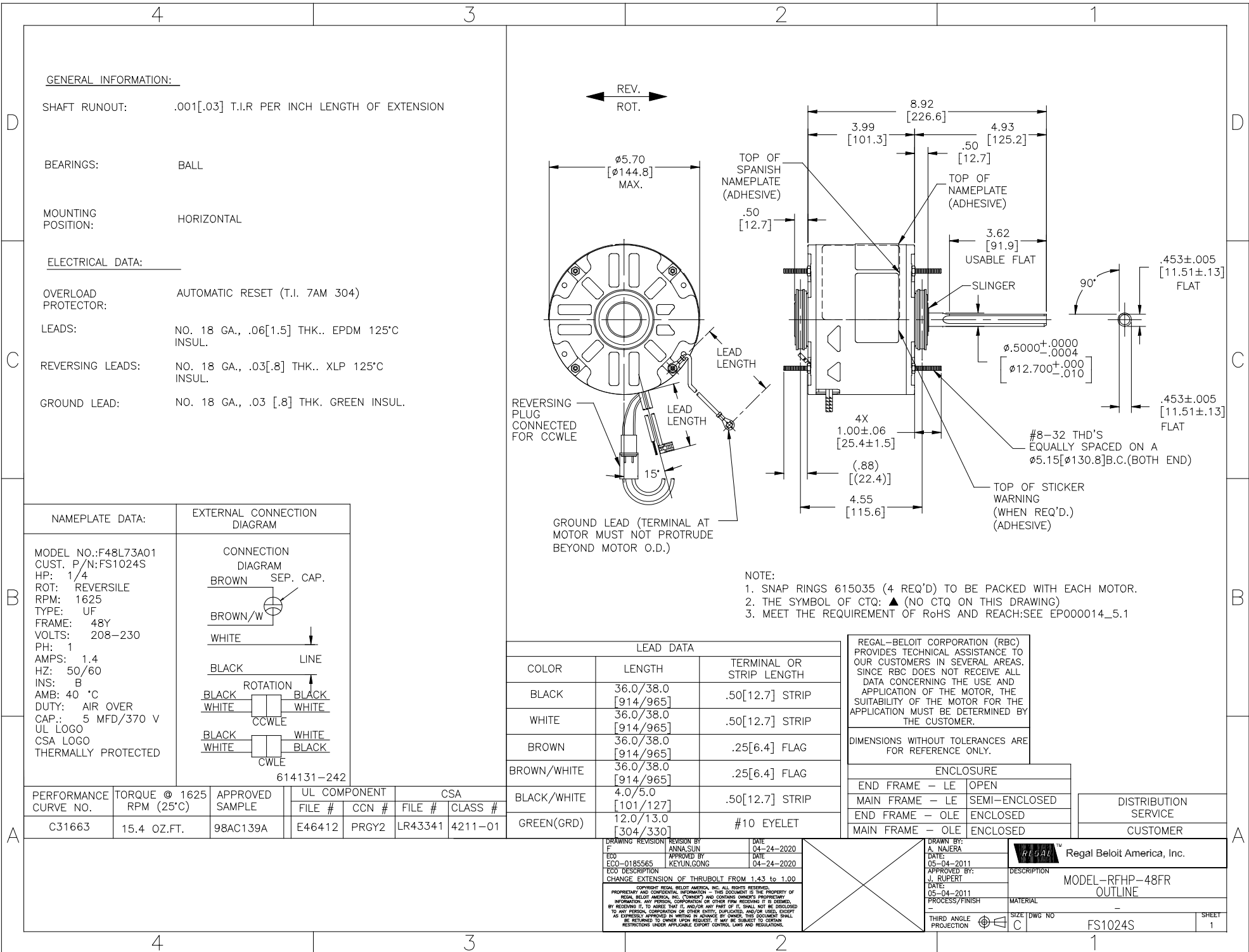
**Nameplate Specifications**

Output HP	1/4 Hp	Output KW	0.19 kW
Frequency	50 Hz	Voltage	208-230 V
Current	1.4 A	Speed	1625 rpm
Service Factor	1	Phase	1
Duty	Air Over	Insulation Class	B
Frame	48Y	Enclosure	Semi Enclosed
Thermal Protection	Automatic	Ambient Temperature	40 °C
UL	Recognized	CSA	Y
CE	N		

**Technical Specifications**

Electrical Type	Permanent Split Capacitor	Starting Method	Across The Line
Poles	4	Rotation	Reversible
Mounting	Resilient Ring/Extended Studs	Motor Orientation	Any
Drive End Bearing	Ball	Opp Drive End Bearing	Ball
Frame Material	Rolled Steel	Shaft Type	Double Flat
Overall Length	9.42 in	Frame Length	3.38 in
Shaft Diameter	0.500 in	Shaft Extension	4.9 in
Connection Drawing	614131-242	Outline Drawing	FS1024S-S01

This is an uncontrolled document once printed or downloaded and is subject to change without notice. Date Created:22/09/2020



GENERAL INFORMATION:

SHAFT RUNOUT: .001[.03] T.I.R PER INCH LENGTH OF EXTENSION

BEARINGS: BALL

MOUNTING POSITION: HORIZONTAL

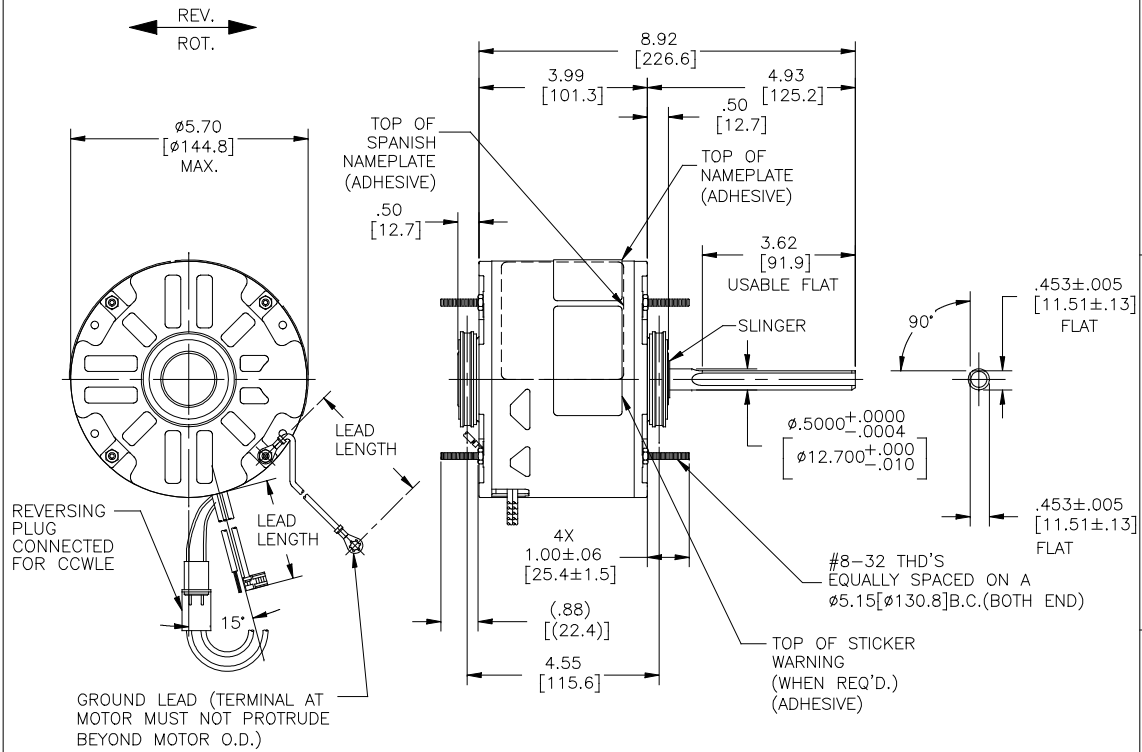
ELECTRICAL DATA:

OVERLOAD PROTECTOR: AUTOMATIC RESET (T.I. 7AM 304)

LEADS: NO. 18 GA., .06[1.5] THK.. EPDM 125°C INSUL.

REVERSING LEADS: NO. 18 GA., .03[.8] THK.. XLP 125°C INSUL.

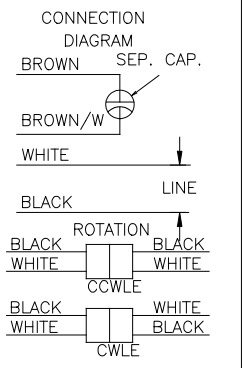
GROUND LEAD: NO. 18 GA., .03 [.8] THK. GREEN INSUL.



- NOTE:
1. SNAP RINGS 615035 (4 REQ'D) TO BE PACKED WITH EACH MOTOR.
  2. THE SYMBOL OF CTQ: ▲ (NO CTQ ON THIS DRAWING)
  3. MEET THE REQUIREMENT OF RoHS AND REACH:SEE EP000014\_5.1

NAMEPLATE DATA: EXTERNAL CONNECTION DIAGRAM

MODEL NO.:F48L73A01  
 CUST. P/N:FS1024S  
 HP: 1/4  
 ROT: REVERSIBLE  
 RPM: 1625  
 TYPE: UF  
 FRAME: 48Y  
 VOLTS: 208-230  
 PH: 1  
 AMPS: 1.4  
 HZ: 50/60  
 INS: B  
 AMB: 40 °C  
 DUTY: AIR OVER  
 CAP.: 5 MFD/370 V  
 UL LOGO  
 CSA LOGO  
 THERMALLY PROTECTED



614131-242

LEAD DATA		
COLOR	LENGTH	TERMINAL OR STRIP LENGTH
BLACK	36.0/38.0 [914/965]	.50[12.7] STRIP
WHITE	36.0/38.0 [914/965]	.50[12.7] STRIP
BROWN	36.0/38.0 [914/965]	.25[6.4] FLAG
BROWN/WHITE	36.0/38.0 [914/965]	.25[6.4] FLAG
BLACK/WHITE	4.0/5.0 [101/127]	.50[12.7] STRIP
GREEN(GRD)	12.0/13.0 [304/330]	#10 EYELET

REGAL-BELOIT CORPORATION (RBC) PROVIDES TECHNICAL ASSISTANCE TO OUR CUSTOMERS IN SEVERAL AREAS. SINCE RBC DOES NOT RECEIVE ALL DATA CONCERNING THE USE AND APPLICATION OF THE MOTOR, THE SUITABILITY OF THE MOTOR FOR THE APPLICATION MUST BE DETERMINED BY THE CUSTOMER.

DIMENSIONS WITHOUT TOLERANCES ARE FOR REFERENCE ONLY.

ENCLOSURE	
END FRAME - LE	OPEN
MAIN FRAME - LE	SEMI-ENCLOSED
END FRAME - OLE	ENCLOSED
MAIN FRAME - OLE	ENCLOSED

DISTRIBUTION SERVICE
CUSTOMER

PERFORMANCE CURVE NO.	TORQUE @ 1625 RPM (25°C)	APPROVED SAMPLE	UL COMPONENT		CSA	
			FILE #	CCN #	FILE #	CLASS #
C31663	15.4 OZ.FT.	98AC139A	E46412	PRGY2	LR43341	4211-01

DRAWING REVISION	REVISION BY	DATE
F	ANNA SUN	04-24-2020
ECC	APPROVED BY	DATE
ECO-0185565	KEYUN GONG	04-24-2020
ECO DESCRIPTION		
CHANGE EXTENSION OF THRU BOLT FROM 1.43 to 1.00		
<small>COPYRIGHT REGAL-BELOIT CORPORATION, INC. ALL RIGHTS RESERVED. PROPRIETARY AND CONFIDENTIAL INFORMATION - THIS DOCUMENT IS THE PROPERTY OF REGAL-BELOIT CORPORATION, INC. (RBC) AND CONTAINS OWNERS PROPRIETARY INFORMATION. ANY REPRODUCTION, DISTRIBUTION OR OTHER FORM OF THIS DOCUMENT, BY RECEIVING IT, TO ANY PERSON, CORPORATION OR OTHER ENTITY, EMPLOYEE, AND/OR USER, WITHOUT THE EXPRESS WRITTEN APPROVAL OF REGAL-BELOIT CORPORATION, INC. SHALL BE STRICTLY PROHIBITED. REGAL-BELOIT CORPORATION, INC. SHALL NOT BE HELD RESPONSIBLE FOR THE RETURN OF THIS DOCUMENT IF IT IS NOT RETURNED TO THE COMPANY UPON REQUEST. IT MAY BE SUBJECT TO CERTAIN RESTRICTIONS UNDER APPLICABLE EXPORT CONTROL LAWS AND REGULATIONS.</small>		

DRAWN BY: A. NAJERA	DESCRIPTION
DATE: 05-04-2011	MODEL-RFHP-48FR OUTLINE
APPROVED BY: J. RUPERT	MATERIAL
DATE: 05-04-2011	
PROCESS/FINISH	SIZE DWG NO
THIRD ANGLE PROJECTION	C
	FS1024S

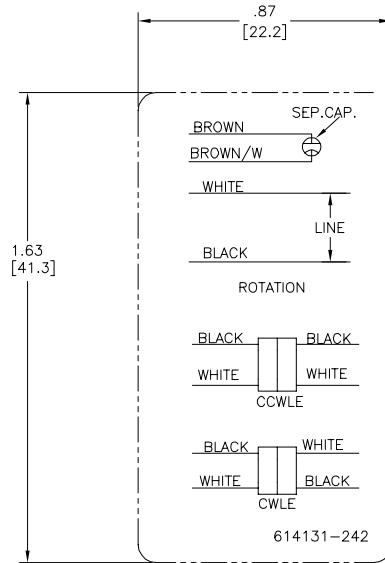
4

3

2

1

REV	ECO	REV BY	DATE	APPD	DATE
D	0029048	D.RODRIGUEZ	10-18-2012	J.HESS	10-18-2012



- NOTES:  
 1. FOR USE WITH 614129 OR 2513020-001 NAMEPLATE BLANKS  
 2. ----- INDICATES DIMENSION LIMITS

GEOMETRIC CHARACTERISTICS & SYMBOLS	
▭	FLATNESS
—	STRAIGHTNESS
∠	ANGULARITY
⊥	PERPENDICULARITY (SQUARENESS)
//	PARALLELISM
○	ROUNDNESS (CIRCULARITY)
⊘	CYLINDRICITY
△	PROFILE OF ANY SURFACE
∩	PROFILE OF ANY LINE
⌀	RUNOUT
⊕	TRUE POSITION
◎	CONCENTRICITY
⊖	SYMMETRY

ASME Y14.5M 1994

UNLESS OTHERWISE SPECIFIED DIM. TOLERANCES ARE AS FOLLOWS:	
INCH	±.1 ±.02 ±.005 ±.0005
mm	±0.5 ±0.13 ±0.013
ANG. ±.50 DEG	
REMOVE BURRS & BREAK SHARP EDGES:	
INCH	.003-.015
mm	0.1-.04
CORNER FILLETS TO:	
INCH	.020
mm	0.5
MACHINE SURFACES:	
INCH	125
mm	3.2
METRIC DIMS. SHOWN IN [BRACKETS]	

DR BY:	YL	04-15-2011
APPD:	HZ	04-15-2011
THIRD ANGLE PROJECTION		EDS DATE 11-11-2011 FORMAT REV H
CONFIDENTIAL: THIS DRAWING AND ITS INFORMATION ARE THE EXCLUSIVE AND CONFIDENTIAL PROPERTY OF REGAL-BELOIT CORPORATION AND ARE NOT TO BE DISCLOSED, DUPLICATED, DISTRIBUTED OR OTHERWISE USED WITHOUT THE WRITTEN CONSENT OF REGAL-BELOIT CORPORATION. -ALL RIGHTS RESERVED.		

<b>REGAL-BELOIT CORPORATION</b>	
DESCRIPTION CONN DIAGRAM-NAMEPLATE	
SIZE C	DWG NO 614131-242
SCALE NONE	SHEET 1

4

3

2

1

4

3

2

1

REVISION:	ECO	REVISADO POR:	FECHA:	APROBADO POR:	FECHA:
D	0029048	D.RODRIGUEZ	10-18-2012	J.HESS	10-18-2012



NOTAS:  
 1. PARA USO CON PLACA DE DATOS EN BLANCO REGAL-BELOIT BANKS  
 2. INDICATES DIMENSION LIMITS  
 INDICA LIMITES DE DIMENSION

CARACTERISTICAS DE GEOMETRIA Y SIMBOLOS ▽ PLANICIDAD — RECTITUD ∠ ANGULARIDAD ⊥ PERPENDICULARIDAD (A ESQUADRA) // PARALELISMO ○ REDONDEZ (CIRCULARIDAD) Ⓜ CILINDRICIDAD ⊖ PERFIL DE CUALQUIER SUPERFICIE ∩ PERFIL DE CUALQUIER LINEA † VARIACION ⊕ POSICION REAL ⊙ CONCENRICIDAD ≡ SIMETRIA	A MENOS QUE SE ESPECIFIQUE DE OTRA MANERA, LAS TOLERANCIAS DE LAS DIMS. SON LAS SIGUIENTES: PULG ±.1 ±.02 ±.005 ±.0005 mm ±0.5 ±0.13 ±0.013 ANG. ±50 GRADOS ELIMINAR REBASAS Y ORILLAS FILOSAS DEL BORDE. PULG .003-.015 mm 0.1-0.4 FILETEAR ESQUINA: PULG .020 mm 0.5 MAQUINAR SUPERFICIES PULG 125 mm 3.2 DIMS METRICAS MOSTRADAS [PARENTESIS]	DIBUJADO POR: YL	04-15-2011	<b>REGAL-BELOIT CORPORATION</b>
		APROBADO POR: HZ	04-15-2011	
		TERCER ANGULO DE PROYECCION	FECHA EDS: 11-11-2011 REV. FORMATO: H	TAMAÑO: C
		CONFIDENCIAL: ESTE DIBUJO Y SU INFORMACION SON PROPIEDAD DE USO EXCLUSIVO Y CONFIDENCIAL DE REGAL-BELOIT CORPORATION. Y NO DEBERAN SER REVELADOS, DUPLICADOS, DISTRIBUIDOS O USARSE DE OTRA MANERA SIN EL CONSENTIMIENTO ESCRITO DE REGAL-BELOIT CORPORATION. -TODOS LOS DERECHOS RESERVADOS.		NUMERO DE DIBUJO: 614131-242
		ESCALA: NONE		HOJA: 1

4

3

2

1