

PRODUCT INFORMATION PACKET



Model No: OTC1864

Catalog No: OTC1864

1/4 HP OEM Replacement Motor, 1350/1625 RPM, 380-420/460 Volts, 48 Frame, Semi Enclosed
HVAC/R OEM Replacement Motors



Regal and Century are trademarks of Regal Beloit Corporation or one of its affiliated companies.

©2020 Regal Beloit Corporation, All Rights Reserved. MC017097E





Nameplate Specifications

Output HP	1/4 Hp	Output KW	0.19 kW
Frequency	50 Hz	Voltage	380-420/460 V
Current	0.80/0.95 A	Speed	1350/1625 rpm
Service Factor	1	Phase	1
Duty	Continuous Air Over	Insulation Class	A
Frame	48Y	Enclosure	Semi Enclosed
Thermal Protection	Automatic	Ambient Temperature	40 °C
UL	Recognized	CSA	Y
CE	N		

Technical Specifications

Electrical Type	Permanent Split Capacitor	Starting Method	Across The Line
Poles	4	Rotation	Clockwise Lead End
Mounting	Lug	Motor Orientation	Vertical Shaft Down
Drive End Bearing	Ball	Opp Drive End Bearing	Ball
Frame Material	Rolled Steel	Shaft Type	Double Flat
Overall Length	7.56 in	Frame Length	3.75 in
Shaft Diameter	0.500 in	Shaft Extension	1/2 X 2 3/4 in
Outline Drawing	11993-002-S01	Connection Drawing	614131-032

This is an uncontrolled document once printed or downloaded and is subject to change without notice. Date Created:10/09/2020

REV	ECO	REV BY	DATE	APPD	DATE
D	0025558	O. CARVAJAL	05-03-2012	M. AVILA	05-02-2012

GENERAL INFORMATION:

SHAFT RUNOUT: .001 [.03] T.I.R. PER INCH LENGTH OF EXTENSION

BEARINGS: BALL

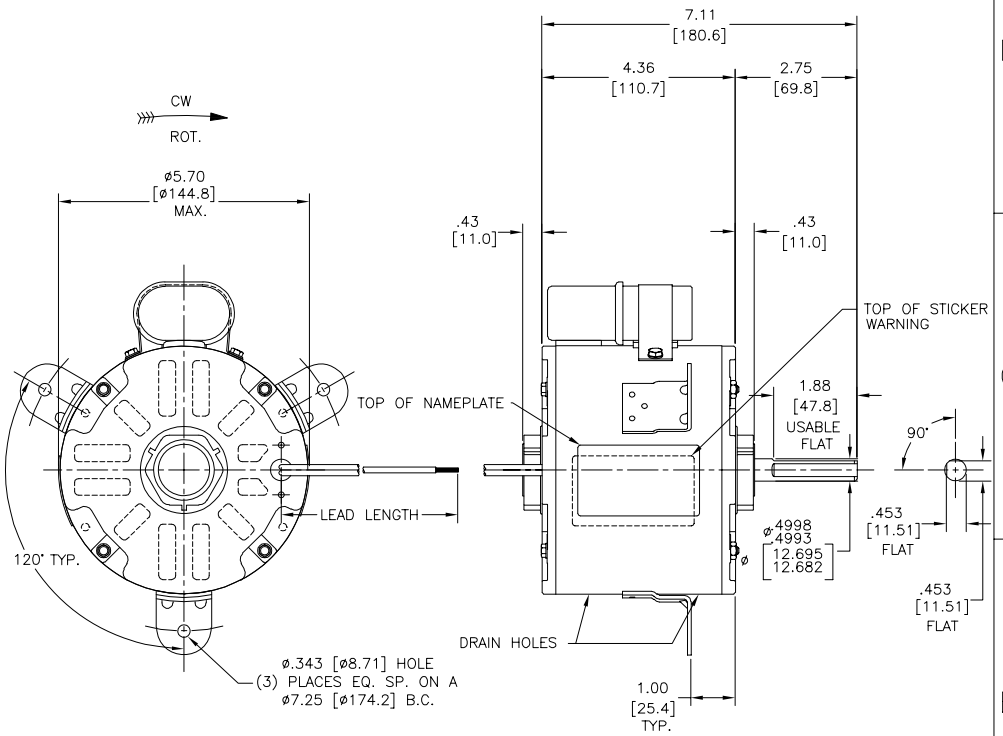
MOUNTING POSITION: VERTICAL SHAFT DOWN

ELECTRICAL DATA:

OVERLOAD PROTECTOR: AUTOMATIC RESET (T.I. 7AM 034)

LINE LEADS: NO. 14 GA., .03 [.8] THK. XLP 125°C INSUL.

CAPACITOR LEADS: NO. 18 GA., .03 [.8] THK. XLP 125°C INSUL.



NAMEPLATE DATA:	EXTERNAL CONNECTION DIAGRAM
MODEL NO.: F48W35A01 CUST. P/N: OTC1864 HP: 1/4 ROT.: CWLE RPM: 1350/1625 TYPE: UF FRAME: 48Y VOLTS: 380-420/460 PH: 1 AMPS: 0.80/0.95 HZ: 50/60 INS.: A AMB.: 40° C DUTY: AIR OVER CAP.: 4 MFD/370 V ENCL: SEMI-ENCL. UL LOGO CSA LOGO THERMALLY PROTECTED	

COLOR	LENGTH	TERMINAL OR STRIP LENGTH
BROWN	CONNECTED TO CAPACITOR	.25 [6.4] FLAG
BROWN	CONNECTED TO CAPACITOR	.25 [6.4] FLAG
BLACK	39.0/41.0 [991/1041]	.50 [12.7] SKIN
BLACK	39.0/41.0 [991/1041]	.50 [12.7] SKIN

NOTE:
EXCESS CAPACITOR LEAD WIRE MUST BE CONTAINED IN CAPACITOR COVER

ENCLOSURE	CUSTOMER	DISTRIBUTION SERVICE
MAIN FRAME - OLE ENCLOSED END FRAME - OLE OPEN MAIN FRAME - LE ENCLOSED END FRAME - LE ENCLOSED		

PERFORMANCE CURVE NO.	TORQUE @1350 RPM (25°C)	APPROVED SAMPLE	UL COMPONENT	CSA
C32488	13.2 OZ. FT.	0441064A	E46412 PRGY2	LR43341 4211-01

GEOMETRIC CHARACTERISTICS & SYMBOLS

- FLATNESS
- STRAIGHTNESS
- ∠ ANGULARITY
- ⊥ PERPENDICULARITY (SQUARENESS)
- ∥ PARALLELISM
- ROUNDNESS (CIRCULARITY)
- ⊘ CYLINDRICITY
- ⌒ PROFILE OF ANY SURFACE
- ⌒ PROFILE OF ANY LINE
- ↗ RUNOUT
- ⊕ TRUE POSITION
- ⊙ CONCENTRICITY
- ≡ SYMMETRY

ASME Y14.5M 1994

REGAL-BELOIT CORPORATION (RBC) PROVIDES TECHNICAL ASSISTANCE TO OUR CUSTOMERS IN SEVERAL AREAS. SINCE RBC DOES NOT RECEIVE ALL DATA CONCERNING THE USE AND APPLICATION OF THE MOTOR, THE SUITABILITY OF THE MOTOR FOR THE APPLICATION MUST BE DETERMINED BY THE CUSTOMER.

DIMENSIONS WITHOUT TOLERANCES ARE FOR REFERENCE ONLY.

DR BY: JR	06-08-2005
APPD: BS	06-08-2005
THIRD ANGLE PROJECTION	EDS DATE 11-11-2011 FORMAT REV C

CONFIDENTIAL: THIS DRAWING AND ITS INFORMATION ARE THE EXCLUSIVE AND CONFIDENTIAL PROPERTY OF REGAL-BELOIT CORPORATION AND ARE NOT TO BE DISCLOSED, DUPLICATED, DISTRIBUTED OR OTHERWISE USED WITHOUT THE WRITTEN CONSENT OF REGAL-BELOIT CORPORATION. -ALL RIGHTS RESERVED.

DESCRIPTION	
MODEL-RFHP-48FR OUTLINE	
SIZE C	DWG NO 11993-002
SCALE NONE	SHEET 1

REVISION:	ECO	REVISADO POR:	FECHA:	APROBADO POR:	FECHA:
D	0025558	O. CARVAJAL	05-03-2012	M. AVILA	05-02-2012

GENERAL INFORMATION:

SHAFT RUNOUT: .001 [.03] T.I.R. PER INCH LENGTH OF EXTENSION

BEARINGS: BALL

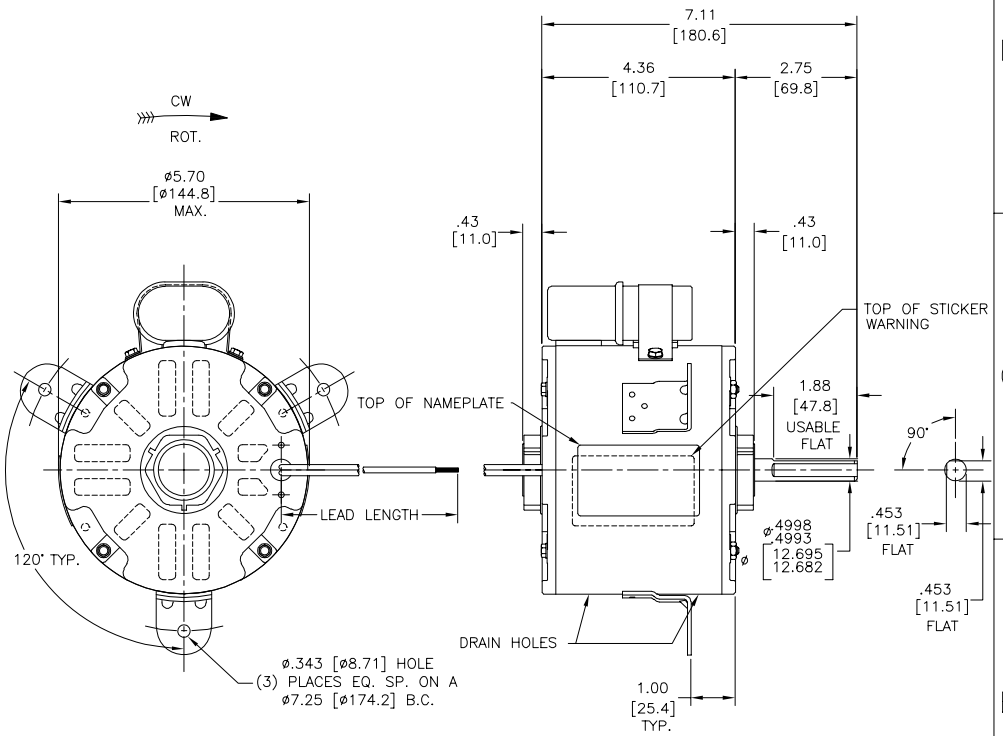
MOUNTING POSITION: VERTICAL SHAFT DOWN

ELECTRICAL DATA:

OVERLOAD PROTECTOR: AUTOMATIC RESET (T.I. 7AM 034)

LINE LEADS: NO. 14 GA., .03 [.8] THK. XLP 125°C INSUL.

CAPACITOR LEADS: NO. 18 GA., .03 [.8] THK. XLP 125°C INSUL.



NAMEPLATE DATA:	EXTERNAL CONNECTION DIAGRAM
MODEL NO.: F48W35A01 CUST. P/N: OTC1864 HP: 1/4 ROT.: CWLE RPM: 1350/1625 TYPE: UF FRAME: 48Y VOLTS: 380-420/460 PH: 1 AMPS: 0.80/0.95 HZ: 50/60 INS.: A AMB.: 40° C DUTY: AIR OVER CAP.: 4 MFD/370 V ENCL: SEMI-ENCL. UL LOGO CSA LOGO THERMALLY PROTECTED	

COLOR	LENGTH	TERMINAL OR STRIP LENGTH
BROWN	CONNECTED TO CAPACITOR	.25 [6.4] FLAG
BROWN	CONNECTED TO CAPACITOR	.25 [6.4] FLAG
BLACK	39.0/41.0 [991/1041]	.50 [12.7] SKIN
BLACK	39.0/41.0 [991/1041]	.50 [12.7] SKIN

ENCLOSURE	CUSTOMER	DISTRIBUTION SERVICE
MAIN FRAME - OLE ENCLOSED		
END FRAME - OLE OPEN		
MAIN FRAME - LE ENCLOSED		
END FRAME - LE ENCLOSED		

PERFORMANCE CURVE NO.	TORQUE @1350 RPM (25°C)	APPROVED SAMPLE	UL COMPONENT	CSA
C32488	13.2 OZ. FT.	0441064A	E46412 PRGY2	LR43341 4211-01

CARACTERÍSTICAS DE GEOMETRIA Y SIMBOLOS

- PLANICIDAD
- RECTITUD
- ∠ ANGULARIDAD
- ⊥ PERPENDICULARIDAD (A ESQUADRA)
- // PARALELISMO
- REDONDEZ (CIRCULARIDAD)
- ∅ CILINDRICIDAD
- ⊖ PERFIL DE CUALQUIER SUPERFICIE
- ⊖ PERFIL DE CUALQUIER LINEA
- ↑ VARIACION
- ⊕ POSICION REAL
- ⊙ CONCENTRICIDAD
- ≡ SIMETRIA

ASME Y14.5M 1994

REGAL-BELOIT CORPORATION (RBC) PROVEE ASISTENCIA TECNICA A NUESTROS CLIENTES EN VARIAS AREAS. DESDE QUE RBC NO RECIBE TODOS LOS DATOS EN RELACION AL USO Y A LA APLICACION DEL MOTOR, LA APLICACION ADECUADA DEL MOTOR DEBE SER DETERMINADA POR EL CLIENTE.

DIMENSIONES SIN TOLERANCIA SON DE REFERENCIA SOLAMENTE

DIBUJADO POR: JR	06-08-2005
APROBADO POR: BS	06-08-2005
TERCER ANGULO DE PROYECCION	FECHA EDS: 11-11-2011 REV. FORMATO: G

DESCRIPCION:	MODEL-RFHP-48FR OUTLINE
TAMAÑO: C	NUMERO DE DIBUJO: 11993-002
ESCALA: NONE	HOJA: 1

版本	ECO	编制	日期	批准	日期
D	0025558	O. CARVAJAL	05-03-2012	M. AVILA	05-02-2012

GENERAL INFORMATION:

SHAFT RUNOUT: .001 [.03] T.I.R. PER INCH LENGTH OF EXTENSION

BEARINGS: BALL

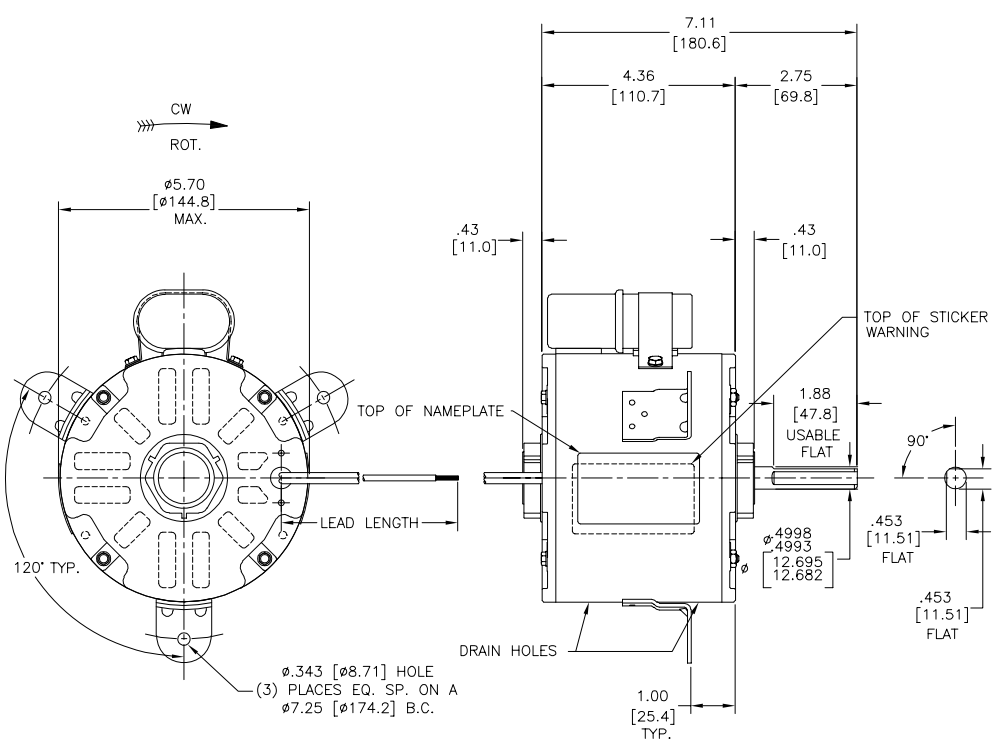
MOUNTING POSITION: VERTICAL SHAFT DOWN

ELECTRICAL DATA:

OVERLOAD PROTECTOR: AUTOMATIC RESET (T.I. 7AM 034)

LINE LEADS: NO. 14 GA., .03 [.8] THK. XLP 125°C INSUL.

CAPACITOR LEADS: NO. 18 GA., .03 [.8] THK. XLP 125°C INSUL.



NAMEPLATE DATA:	EXTERNAL CONNECTION DIAGRAM
MODEL NO.: F48W35A01 CUST. P/N: OTC1864 HP: 1/4 ROT.: CWLE RPM: 1350/1625 TYPE: UF FRAME: 48Y VOLTS: 380-420/460 PH: 1 AMPS: 0.80/0.95 HZ: 50/60 INS.: A AMB.: 40° C DUTY: AIR OVER CAP.: 4 MFD/370 V ENCL: SEMI-ENCL. UL LOGO CSA LOGO THERMALLY PROTECTED	SEP. CAP. BROWN BROWN BLACK BLACK LINE

BROWN	CONNECTED TO CAPACITOR	.25 [6.4] FLAG
BROWN	CONNECTED TO CAPACITOR	.25 [6.4] FLAG
BLACK	39.0/41.0 [991/1041]	.50 [12.7] SKIN
BLACK	39.0/41.0 [991/1041]	.50 [12.7] SKIN
COLOR	LENGTH	TERMINAL OR STRIP LENGTH

MAIN FRAME - OLE	ENCLOSED
END FRAME - OLE	OPEN
MAIN FRAME - LE	ENCLOSED
END FRAME - LE	ENCLOSED

CUSTOMER	DISTRIBUTION SERVICE
----------	----------------------

PERFORMANCE CURVE NO.	TORQUE @1350 RPM (25°C)	APPROVED SAMPLE	UL COMPONENT	CSA
C32488	13.2 OZ. FT.	0441064A	E46412 PRGY2	LR43341 4211-01

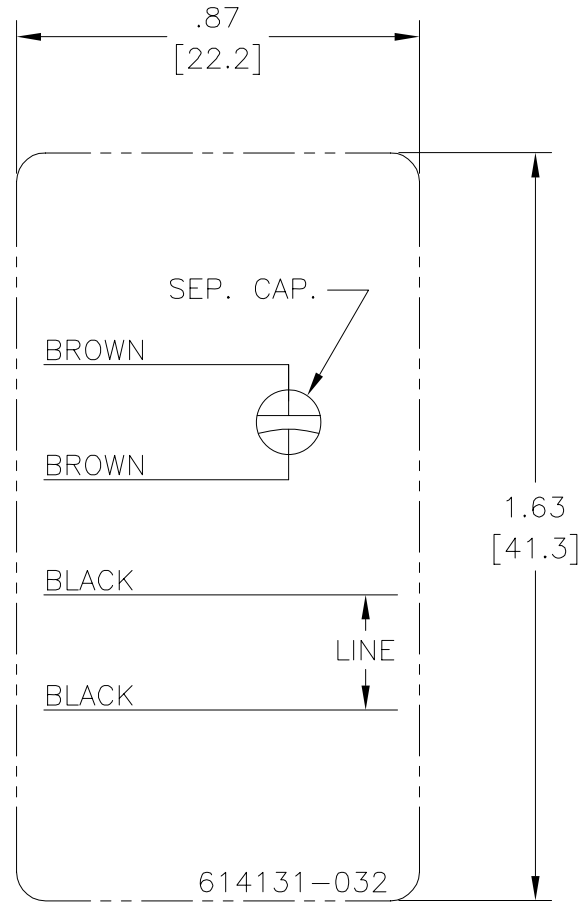
形位公差 □ 平面度 ⊥ 垂直度 ∠ 倾斜度 // 平行度 ○ 圆度 ⊙ 圆跳动 ⊖ 面轮廓度 ⊕ 线轮廓度 ↗ 圆跳动 ↖ 位置度 ⊕ 同轴度 ⊖ 对称度	REGAL-BELOIT CORPORATION (RBC) 在个别领域为客户 提供技术支持。鉴于 RBC 未收到任何涉及电机使用和 应用环境的数据，电机的适用性 由客户自己决定。 未注公差尺寸仅供参考。
--	---

除图:	JR	06-08-2005
批准:	BS	06-08-2005
第三角投影		图框格式发布日期 11-11-2011 图框格式版本 C
机密:	本图纸及相关信息所有权归REGAL-BELOIT CORPORATION。 未经REGAL-BELOIT CORPORATION书面授权，不得泄露、 复制、传播或作其他用途。--版权所有	

MODEL-RFHP-48FR OUTLINE	
名称	C
图号	11993-002
比例	NONE
页号	1

Uncontrolled Copy

REV	ECO	REV BY	DATE	APPD	DATE
B	ECO-0022379	jrupert	09-21-2011	jrupert	09-21-2011



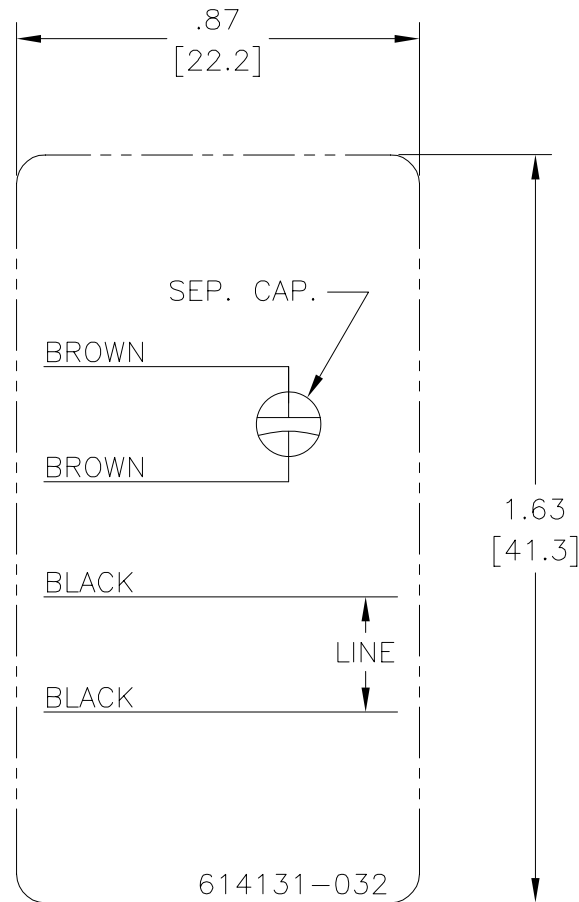
NOTES:

1. FOR USE WITH 614129 NAMEPLATE BLANK
2. — — — — — INDICATES DIMENSION LIMITS
3. DIE TO BE MADE FROM MASTER SUPPLIED BY A. O. SMITH CORPORATION
4. DIE MUST PRODUCE A LEGIBLE IMPRESSION.

GEOMETRIC CHARACTERISTICS & SYMBOLS ▽ FLATNESS — STRAIGHTNESS ∠ ANGULARITY ⊥ PERPENDICULARITY (SQUARENESS) ∥ PARALLELISM ○ ROUNDNESS (CIRCULARITY) ∅ CYLINDRICITY △ PROFILE OF ANY SURFACE ▽ PROFILE OF ANY LINE ↗ RUNOUT ⊕ TRUE POSITION ⊙ CONCENTRICITY = SYMMETRY	UNLESS OTHERWISE SPECIFIED DIM. TOLERANCES ARE AS FOLLOWS: INCH X XX XXX XXXX ±.1 ±.02 ±.005 ±.0005 mm ±0.5 ±0.13 ±0.013 ANG. ±.50 DEG REMOVE BURRS & BREAK SHARP EDGES: INCH .003-.015 mm 0.1-0.4 CORNER FILLETS TO: INCH .020 mm 0.5 MACHINE SURFACES: INCH 125 mm 3.2 METRIC DIMS. SHOWN IN [BRACKETS]	DR BY: jrupert APPD: jrupert THIRD ANGLE PROJECTION	09-21-2011 09-21-2011 EDS DATE 02-22-2008 FORMAT REV F	ELECTRICAL PRODUCTS COMPANY <small>A DIVISION OF A. O. SMITH CORPORATION</small>	DESCRIPTION CONN DIAGRAM NAMEPLATE
				SIZE A	DWG NO 614131-032
				SCALE NONE	SHEET 1
				CONFIDENTIAL: THIS DRAWING AND ITS INFORMATION ARE THE EXCLUSIVE AND CONFIDENTIAL PROPERTY OF A.O. SMITH CORP. AND ARE NOT TO BE DISCLOSED, DUPLICATED, DISTRIBUTED OR OTHERWISE USED WITHOUT THE WRITTEN CONSENT OF A.O. SMITH CORP. -ALL RIGHTS RESERVED. ASME Y14.5M 1994	

Uncontrolled Copy

REVISION:	ECO	REVISADO POR:	jrupert	FECHA:	09-21-2011	APROBADO POR:	jrupert	FECHA:	09-21-2011
B	ECO-0022379								



NOTES:

1. FOR USE WITH 614129 NAMEPLATE BLANK
2. — — — — — INDICATES DIMENSION LIMITS
3. DIE TO BE MADE FROM MASTER SUPPLIED BY A. O. SMITH CORPORATION
4. DIE MUST PRODUCE A LEGIBLE IMPRESSION.

CARACTERISTICAS DE GEOMETRIA Y SIMBOLOS Z PLANICIDAD — RECTITUD < ANGULARIDAD ⊥ PERPENDICULARIDAD (A ESCUADRA) // PARALELISMO ○ REDONDEZ (CIRCULARIDAD) ∅ CILINDRICIDAD △ PERFIL DE CUALQUIER SUPERFICIE ∩ PERFIL DE CUALQUIER LINEA ↑ VARIACION ⊕ POSICION REAL ⊙ CONCENTRICIDAD = SIMETRIA

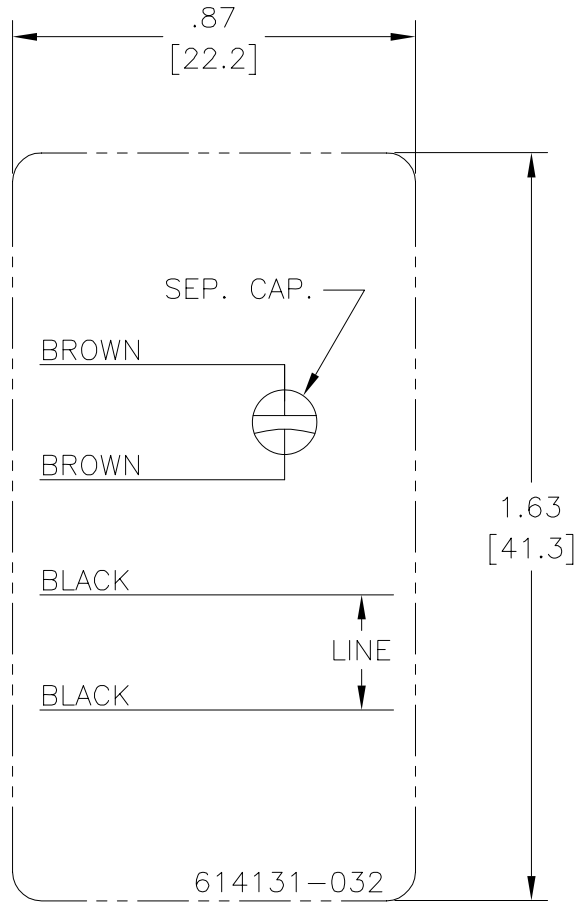
A MENOS QUE SE ESPECIFIQUE DE OTRA MANERA, LAS TOLERANCIAS DE LAS DIMS. SON LAS SIGUIENTES: X XX XXX XXXX PULG ±.1 ±.02 ±.005 ±.0005 mm ±0.5 ±0.13 ±0.013 ANG. ±.50 GRADOS ELIMINAR REBABAS Y ORILLAS FILOSAS DEL BORDE. PULG .003-.015 mm 0.1-0.4 FILETEAR ESQUINA: PULG .020 mm 0.5 MAQUINAR SUPERFICIES PULG 125 mm 3.2 DIMS METRICAS MOSTRADAS [PARENTESIS]

DIBUJADO POR:	jrupert	09-21-2011
APROBADO POR:	jrupert	09-21-2011
TERCER ANGULO DE PROYECCION		FECHA EDS: 02-22-2008 REV. FORMATO: F
CONFIDENCIAL: ESTE DIBUJO Y SU INFORMACION SON PROPIEDAD DE USO EXCLUSIVO Y CONFIDENCIAL DE A.O.SMITH CORP. Y NO DEBERAN SER REVELADOS, DUPLICADOS, DISTRIBUIDOS O USARSE DE OTRA MANERA SIN EL CONSENTIMIENTO ESCRITO DE A.O. SMITH CORP. -TODOS LOS DERECHOS RESERVADOS.ASME Y14.5M 1994		

	ELECTRICAL PRODUCTS COMPANY <small>A DIVISION OF A. O. SMITH CORPORATION</small>
DESCRIPCION:	
CONN DIAGRAM NAMEPLATE	
TAMAÑO: A	NUMERO DE DIBUJO: 614131-032
ESCALA: NONE	HOJA: 1

Uncontrolled Copy

版本	ECO	编制	日期	批准	日期
B	ECO-0022379	jrupert	09-21-2011	jrupert	09-21-2011



NOTES:

1. FOR USE WITH 614129 NAMEPLATE BLANK
2. — — — — — INDICATES DIMENSION LIMITS
3. DIE TO BE MADE FROM MASTER SUPPLIED BY A. O. SMITH CORPORATION
4. DIE MUST PRODUCE A LEGIBLE IMPRESSION.

形位公差 □ 平面度 — 直线度 / 倾斜度 ⊥ 垂直度 // 平行度 ○ 圆度 ⊙ 圆柱度 面轮廓度 线轮廓度 圆跳动 位置度 同轴度 ≡ 对称度	除另有注明 尺寸公差如下: 英寸 X XX XXX XXXX 毫米 ±.1 ±.02 ±.005 ±.0005 毫米 ±0.5 ±0.13 ±0.013 角度 ±.50 度 清理毛刺和尖棱 英寸 .003-.015 毫米 0.1-0.4 内圆角 英寸 .020 毫米 0.5 表面粗糙度 英制 125 米制 3.2 米制尺寸显示在 []	绘图: jrupert 批准: jrupert 第三角投影	09-21-2011 09-21-2011 图纸格式发布日期 02-22-2008 图纸格式版本 F	<p>ELECTRICAL PRODUCTS COMPANY A DIVISION OF A. O. SMITH CORPORATION</p>
	名称: CONN DIAGRAM NAMEPLATE			
	图幅: A		图号: 614131-032	
	比例: NONE		页号: 1	

ASME Y14.5M 1994