

PRODUCT INFORMATION PACKET



Model No: FEH1028S
Catalog No: FEH1028S
1/4 HP Condenser Fan Motor, 850 RPM, 460 Volts, 48 Frame, TEAO
Condenser Fans Motors



Regal and Century are trademarks of Regal Beloit Corporation or one of its affiliated companies.
©2020 Regal Beloit Corporation, All Rights Reserved. MC017097E





Nameplate Specifications

Output HP	1/4 Hp	Output KW	0.19 kW
Frequency	60 Hz	Voltage	460 V
Current	0.75 A	Speed	850 rpm
Service Factor	1	Phase	1
Duty	Air Over	Insulation Class	B
Frame	48Y	Enclosure	Totally Enclosed
Thermal Protection	Automatic	Ambient Temperature	60 °C
UL	Recognized	CSA	Y
CE	N		

Technical Specifications

Electrical Type	Permanent Split Capacitor	Starting Method	Across The Line
Poles	8	Rotation	Reversible
Mounting	Extended Studs	Motor Orientation	Any
Drive End Bearing	Ball	Opp Drive End Bearing	Ball
Frame Material	Rolled Steel	Shaft Type	Double Flat
Overall Length	11.50 in	Frame Length	4.25 in
Shaft Diameter	0.500 in	Shaft Extension	6 in
Connection Drawing	614131-089	Outline Drawing	FEH1028S-S01

This is an uncontrolled document once printed or downloaded and is subject to change without notice. Date Created:22/09/2020

REV	ECO	REV BY	DATE	APPD	DATE
A	0024033	B.ZHAO	01-19-2012	B.SHEN	01-19-2012

GENERAL INFORMATION:

SHAFT RUNOUT: .001[.03] T.I.R. PER INCH LENGTH OF EXTENSION.

BEARINGS: BALL

MOUNTING POSITION: ALL ANGLE

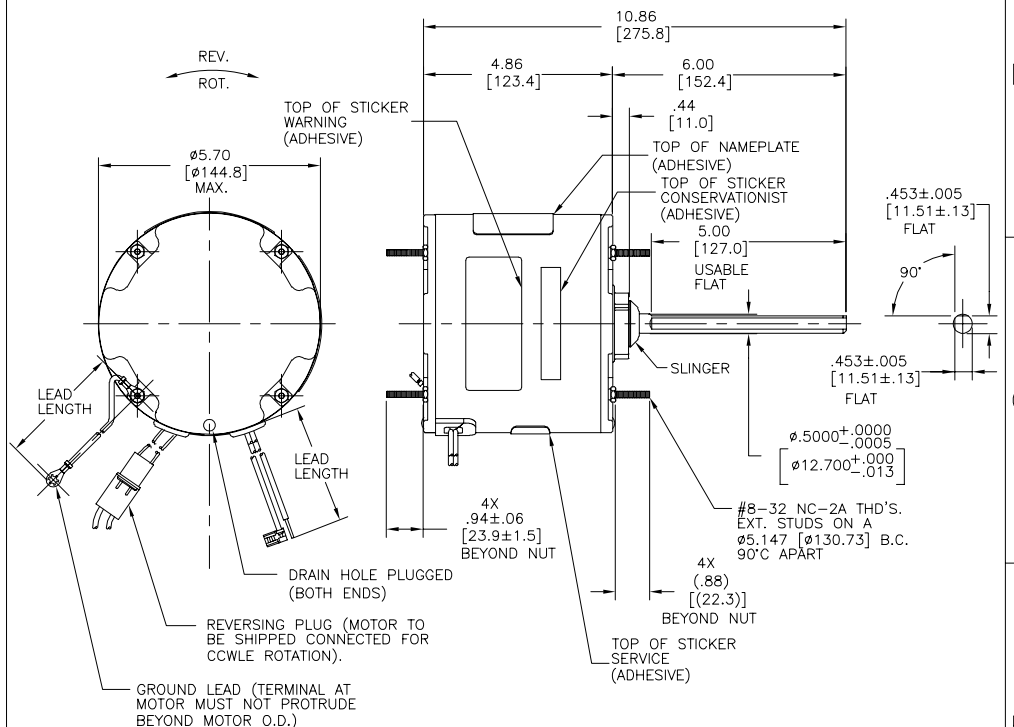
ELECTRICAL DATA:

OVERLOAD PROTECTOR: AUTOMATIC RESET (T.I. 7AM 036)

LEADS: NO. 18 GA., .03[.8] THK., PVC 125°C INSUL.

REVERSING LEADS: NO. 18 GA., .03[.8] THK., XLP 125°C INSUL.

GROUND LEAD: NO. 18 GA., .03[.8] THK., (GREEN) INSUL.



NAMEPLATE DATA:	EXTERNAL CONNECTION DIAGRAM
MODEL NO.: F48N40A01 CUST. P/N: FEH1028S HP: 1/4 ROT.: REVERSIBLE RPM: 850 TYPE: UF FRAME: 48Y VOLTS: 460 PH: 1 AMPS: 0.75 HZ: 60 INS.: B AMB.: 60° C DUTY: AIR OVER CAP.: 5.0 MFD/370 V ENCL: ENCLOSED UL LOGO CSA LOGO THERMALLY PROTECTED	SEP. CAP. BROWN BROWN YELLOW BLACK ROTATION BLACK WHITE WHITE CCWLE BLACK WHITE WHITE BLACK CWLE

GREEN(GRD)	11.0/13.0 [279/330]	#10 EYELET
BLACK/WHITE	3.0/5.0 [76/127]	REVERSING PLUG
BROWN	35.0/38.0 [889/965]	.25[6.4] FLAG
BROWN	35.0/38.0 [889/965]	.25[6.4] FLAG
YELLOW	35.0/38.0 [889/965]	.50[12.7] SKIN
BLACK	35.0/38.0 [889/965]	.50[12.7] SKIN
COLOR	LENGTH	TERMINAL OR STRIP LENGTH

MAIN FRAME - OLE	ENCLOSED
END FRAME - OLE	ENCLOSED
MAIN FRAME - LE	ENCLOSED
END FRAME - LE	ENCLOSED

CUSTOMER	DISTRIBUTION SERVICES
----------	-----------------------

PERFORMANCE	TORQUE @ 850 RPM (25°C)	APPROVED SAMPLE	UL COMPONENT	CSA
C31154	24.1 OZ. FT.	-----	E46412 PRGY2	LR43341 4211-01

GEOMETRIC CHARACTERISTICS & SYMBOLS

- FLATNESS
- STRAIGHTNESS
- ANGULARITY
- PERPENDICULARITY (SQUARENESS)
- PARALLELISM
- ROUNDNESS (CIRCULARITY)
- CYLINDRICITY
- PROFILE OF ANY SURFACE
- PROFILE OF ANY LINE
- RUNOUT
- TRUE POSITION
- CONCENTRICITY
- SYMMETRY

ASME Y14.5M 1994

REGAL-BELOIT CORPORATION (RBC) PROVIDES TECHNICAL ASSISTANCE TO OUR CUSTOMERS IN SEVERAL AREAS. SINCE RBC DOES NOT RECEIVE ALL DATA CONCERNING THE USE AND APPLICATION OF THE MOTOR, THE SUITABILITY OF THE MOTOR FOR THE APPLICATION MUST BE DETERMINED BY THE CUSTOMER.

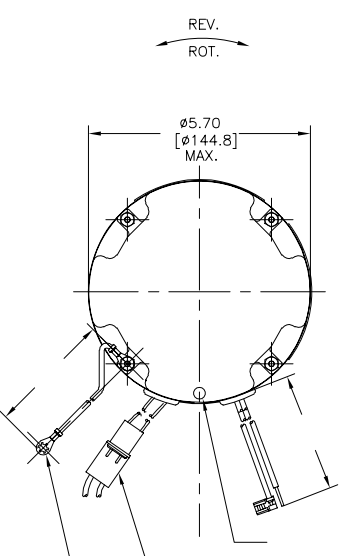
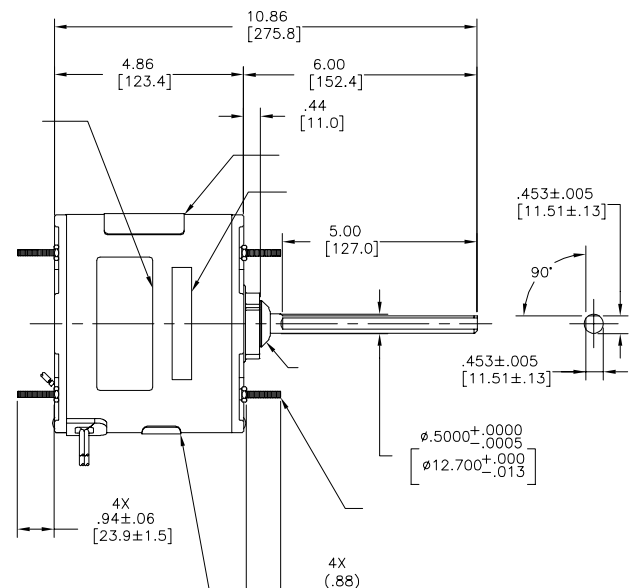
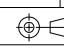
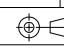


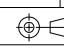

DIMENSIONS WITHOUT TOLERANCES ARE FOR REFERENCE ONLY.

DR BY:	B.ZHAO	01-19-2012
APPD:	B.SHEN	01-19-2012
THRD ANGLE PROJECTION	EDS DATE 11-11-2011 FORMAT REV G	

CONFIDENTIAL: THIS DRAWING AND ITS INFORMATION ARE THE EXCLUSIVE AND CONFIDENTIAL PROPERTY OF REGAL-BELOIT CORPORATION AND ARE NOT TO BE DISCLOSED, DUPLICATED, DISTRIBUTED OR OTHERWISE USED WITHOUT THE WRITTEN CONSENT OF REGAL-BELOIT CORPORATION. -ALL RIGHTS RESERVED.

DESCRIPTION	
MODEL-RFHP-48FR OUTLINE	
SIZE	DWG NO
C	FEH1028S
SCALE	SHEET
NONE	1

4	3	2	1																																							
<p>INFORMACION GENERAL:</p> <p>OSCILACION DE FLECHA: -</p> <p>JUEGO AXIAL: -</p> <p>BALEROS: -</p> <p>POSICION DEL MONTAJE: -</p> <p>INFORMACION ELECTRICA:</p> <p>PROTECTOR DE SOBRECARGA: -</p> <p>CABLES: -</p> <p>CABLE DE TIERRA: -</p>		<table border="1" style="width:100%; border-collapse: collapse;"> <tr> <td>REVISION:</td> <td>ECO</td> <td>REVISADO POR:</td> <td>FECHA:</td> <td>APROBADO POR:</td> <td>FECHA:</td> </tr> <tr> <td>A</td> <td>0024033</td> <td>B.ZHAO</td> <td>01-19-2012</td> <td>B.SHEN</td> <td>01-19-2012</td> </tr> </table>		REVISION:	ECO	REVISADO POR:	FECHA:	APROBADO POR:	FECHA:	A	0024033	B.ZHAO	01-19-2012	B.SHEN	01-19-2012																											
REVISION:	ECO	REVISADO POR:	FECHA:	APROBADO POR:	FECHA:																																					
A	0024033	B.ZHAO	01-19-2012	B.SHEN	01-19-2012																																					
<p>INFORMACION DE ETIQUETA:</p> <p>MODEL NO.: F48N40A01 CUST. P/N: FEH1028S HP: 1/4 ROT.: REVERSIBLE RPM: 850 TYPE: UF FRAME: 48Y VOLTS: 460 PH: 1 AMPS: 0.75 HZ: 60 INS.: B AMB.: 60° C DUTY: AIR OVER CAP.: 5.0 MFD/370 V ENCL: ENCLOSED UL LOGO CSA LOGO THERMALLY PROTECTED</p>																																										
<p>DIAGRAMA DE CONEXION EXTRA</p> <p>SEP. CAP.</p> <p>BROWN</p> <p>BROWN</p> <p>YELLOW</p> <p>BLACK</p> <p>ROTATION</p> <p>BLACK WHITE</p> <p>WHITE WHITE</p> <p>CCWLE</p> <p>BLACK WHITE</p> <p>WHITE BLACK</p> <p>CWLE</p> <p>614131-089</p>		<table border="1" style="width:100%; border-collapse: collapse;"> <tr> <td></td> <td>11.0/13.0</td> <td></td> </tr> <tr> <td></td> <td>[279/330]</td> <td></td> </tr> <tr> <td></td> <td>3.0/5.0</td> <td></td> </tr> <tr> <td></td> <td>[76/127]</td> <td></td> </tr> <tr> <td>-</td> <td>35.0/38.0</td> <td>-</td> </tr> <tr> <td></td> <td>[889/965]</td> <td></td> </tr> <tr> <td>-</td> <td>35.0/38.0</td> <td>-</td> </tr> <tr> <td></td> <td>[889/965]</td> <td></td> </tr> <tr> <td>-</td> <td>35.0/38.0</td> <td>-</td> </tr> <tr> <td></td> <td>[889/965]</td> <td></td> </tr> <tr> <td>-</td> <td>35.0/38.0</td> <td>-</td> </tr> <tr> <td></td> <td>[889/965]</td> <td></td> </tr> <tr> <td>COLOR</td> <td>LONGITUD</td> <td>TERMINAL O LONGITUD DE DESFORRE</td> </tr> </table>			11.0/13.0			[279/330]			3.0/5.0			[76/127]		-	35.0/38.0	-		[889/965]		-	35.0/38.0	-		[889/965]		-	35.0/38.0	-		[889/965]		-	35.0/38.0	-		[889/965]		COLOR	LONGITUD	TERMINAL O LONGITUD DE DESFORRE
	11.0/13.0																																									
	[279/330]																																									
	3.0/5.0																																									
	[76/127]																																									
-	35.0/38.0	-																																								
	[889/965]																																									
-	35.0/38.0	-																																								
	[889/965]																																									
-	35.0/38.0	-																																								
	[889/965]																																									
-	35.0/38.0	-																																								
	[889/965]																																									
COLOR	LONGITUD	TERMINAL O LONGITUD DE DESFORRE																																								
<table border="1" style="width:100%; border-collapse: collapse;"> <tr> <td>CURVAS DE FUNCIONAMIENTO</td> <td>TORSION @ RPM (25°C)</td> <td>MUESTRA APROBADA</td> <td>COMPONENTE UL</td> <td>CSA</td> </tr> <tr> <td>C31154</td> <td>24.1 OZ. FT.</td> <td>-----</td> <td>E46412 PRGY2</td> <td>LR43341 4211-01</td> </tr> </table>		CURVAS DE FUNCIONAMIENTO	TORSION @ RPM (25°C)	MUESTRA APROBADA	COMPONENTE UL	CSA	C31154	24.1 OZ. FT.	-----	E46412 PRGY2	LR43341 4211-01	<table border="1" style="width:100%; border-collapse: collapse;"> <tr> <td>CARCASA - LOC</td> <td>-</td> </tr> <tr> <td>TAPA - LOC</td> <td>-</td> </tr> <tr> <td>CARCASA - LC</td> <td>-</td> </tr> <tr> <td>TAPA - LC</td> <td>-</td> </tr> </table>		CARCASA - LOC	-	TAPA - LOC	-	CARCASA - LC	-	TAPA - LC	-																					
CURVAS DE FUNCIONAMIENTO	TORSION @ RPM (25°C)	MUESTRA APROBADA	COMPONENTE UL	CSA																																						
C31154	24.1 OZ. FT.	-----	E46412 PRGY2	LR43341 4211-01																																						
CARCASA - LOC	-																																									
TAPA - LOC	-																																									
CARCASA - LC	-																																									
TAPA - LC	-																																									
<p>INFORMACION DE CABLES</p>		<p>TIPO DE MOTOR</p>																																								
<p>CARACTERISTICAS DE GEOMETRIA Y SIMBOLOS</p> <p>□ PLANICIDAD</p> <p>— RECTITUD</p> <p>∠ ANGULARIDAD</p> <p>⊥ PERPENDICULARIDAD (A ESQUADRA)</p> <p>// PARALELISMO</p> <p>○ REDONDEZ (CIRCULARIDAD)</p> <p>∅ CILINDRICIDAD</p> <p>⊖ PERFIL DE CUALQUIER SUPERFICIE</p> <p>⊖ PERFIL DE CUALQUIER LINEA</p> <p>∇ VARIACION</p> <p>⊕ POSICION REAL</p> <p>⊙ CONCENRICIDAD</p> <p>≡ SIMETRIA</p> <p>ASME Y14.5M 1994</p>		<p>REGAL-BELOIT CORPORATION (RBC)</p> <p>PROVEE ASISTENCIA TECNICA A NUESTROS CLIENTES EN VARIAS AREAS. DESDE QUE RBC NO RECIBE TODOS LOS DATOS EN RELACION AL USO Y A LA APLICACION DEL MOTOR, LA APLICACION ADECUADA DEL MOTOR DEBE SER DETERMINADA POR EL CLIENTE.</p> <p>DIMENSIONES SIN TOLERANCIA SON DE REFERENCIA SOLAMENTE</p>																																								
<p>DIBUJADO POR: B.ZHAO</p> <p>FECHA: 01-19-2012</p> <p>APROBADO POR: B.SHEN</p> <p>FECHA: 01-19-2012</p> <p>FECHA EDS: 11-11-2011</p> <p>REV. FORMATO: G</p> <p>TERCER ANGULO DE PROYECCION</p> <p>CONFIDENCIAL: ESTE DIBUJO Y SU INFORMACION SON PROPIEDAD DE USO EXCLUSIVO Y CONFIDENCIAL DE REGAL-BELOIT CORPORATION. Y NO DEBERAN SER REVELADOS, DUPLICADOS, DISTRIBUIDOS O USARSE DE OTRA MANERA SIN EL CONSENTIMIENTO ESCRITO DE REGAL-BELOIT CORPORATION. -TODOS LOS DERECHOS RESERVADOS.</p>		<p>DESCRIPCION: MODEL-RFHP-48FR OUTLINE</p> <p>TAMAÑO: C</p> <p>NUMERO DE DIBUJO: FEH1028S</p> <p>ESCALA: NONE</p> <p>HOJA: 1</p>																																								
4	3	2	1																																							

<p>总技术要求:</p> <p>轴跳动:</p> <p>端部窜动量</p> <p>轴承:</p> <p>安装位置:</p> <p>电气数据:</p> <p>过载保护:</p> <p>引线:</p> <p>接地线:</p>	<p>3</p>  <p style="text-align: center;">REV. ROT.</p>	<table border="1" style="width:100%; border-collapse: collapse;"> <tr> <td>版本</td> <td>ECO</td> <td>编制</td> <td>日期</td> <td>批准</td> <td>日期</td> </tr> <tr> <td>A</td> <td>0024033</td> <td>B.ZHAO</td> <td>01-19-2012</td> <td>B.SHEN</td> <td>01-19-2012</td> </tr> </table> <p style="text-align: center;">2</p> 	版本	ECO	编制	日期	批准	日期	A	0024033	B.ZHAO	01-19-2012	B.SHEN	01-19-2012	<p style="text-align: center;">1</p>																				
版本	ECO	编制	日期	批准	日期																														
A	0024033	B.ZHAO	01-19-2012	B.SHEN	01-19-2012																														
<table border="1" style="width:100%; border-collapse: collapse;"> <tr> <th>铭牌数据</th> <th>外部数据线</th> </tr> <tr> <td> MODEL NO.: F48N40A01 CUST. P/N: FEH1028S HP: 1/4 ROT.: REVERSIBLE RPM: 850 TYPE: UF FRAME: 48Y VOLTS: 460 PH: 1 AMPS: 0.75 HZ: 60 INS.: B AMB.: 60° C DUTY: AIR OVER CAP.: 5.0 MFD/370 V ENCL: ENCLOSED UL LOGO CSA LOGO THERMALLY PROTECTED </td> <td> <p>BROWN SEP. CAP.</p> <p>BROWN</p> <p>YELLOW</p> <p>BLACK</p> <p>ROTATION</p> <p>BLACK WHITE BLACK WHITE</p> <p>CCWLE</p> <p>BLACK WHITE WHITE BLACK</p> <p>CWLE</p> <p>614131-089</p> </td> </tr> </table>		铭牌数据	外部数据线	MODEL NO.: F48N40A01 CUST. P/N: FEH1028S HP: 1/4 ROT.: REVERSIBLE RPM: 850 TYPE: UF FRAME: 48Y VOLTS: 460 PH: 1 AMPS: 0.75 HZ: 60 INS.: B AMB.: 60° C DUTY: AIR OVER CAP.: 5.0 MFD/370 V ENCL: ENCLOSED UL LOGO CSA LOGO THERMALLY PROTECTED	<p>BROWN SEP. CAP.</p> <p>BROWN</p> <p>YELLOW</p> <p>BLACK</p> <p>ROTATION</p> <p>BLACK WHITE BLACK WHITE</p> <p>CCWLE</p> <p>BLACK WHITE WHITE BLACK</p> <p>CWLE</p> <p>614131-089</p>	<table border="1" style="width:100%; border-collapse: collapse;"> <tr> <th>性能曲线编号</th> <th>转矩在 @ --- RPM (25° C)</th> <th>批准样品</th> <th colspan="2">UL部件</th> <th colspan="2">CSA</th> </tr> <tr> <td>C31154</td> <td>24.1 OZ. FT.</td> <td>-----</td> <td>E46412</td> <td>PRGY2</td> <td>LR43341</td> <td>4211-01</td> </tr> </table>		性能曲线编号	转矩在 @ --- RPM (25° C)	批准样品	UL部件		CSA		C31154	24.1 OZ. FT.	-----	E46412	PRGY2	LR43341	4211-01														
铭牌数据	外部数据线																																		
MODEL NO.: F48N40A01 CUST. P/N: FEH1028S HP: 1/4 ROT.: REVERSIBLE RPM: 850 TYPE: UF FRAME: 48Y VOLTS: 460 PH: 1 AMPS: 0.75 HZ: 60 INS.: B AMB.: 60° C DUTY: AIR OVER CAP.: 5.0 MFD/370 V ENCL: ENCLOSED UL LOGO CSA LOGO THERMALLY PROTECTED	<p>BROWN SEP. CAP.</p> <p>BROWN</p> <p>YELLOW</p> <p>BLACK</p> <p>ROTATION</p> <p>BLACK WHITE BLACK WHITE</p> <p>CCWLE</p> <p>BLACK WHITE WHITE BLACK</p> <p>CWLE</p> <p>614131-089</p>																																		
性能曲线编号	转矩在 @ --- RPM (25° C)	批准样品	UL部件		CSA																														
C31154	24.1 OZ. FT.	-----	E46412	PRGY2	LR43341	4211-01																													
<p>ASME Y14.5M 1994</p>		<p>REGAL-BELOIT CORPORATION (RBC) 在个别领域为客户提供技术支持。鉴于RBC未收到任何涉及电机使用和应用环境的数据，电机的适用性由客户自己决定。</p> <p>未注公差尺寸仅供参考。</p>		<table border="1" style="width:100%; border-collapse: collapse;"> <tr> <td>绘图:</td> <td>B.ZHAO</td> <td>01-19-2012</td> </tr> <tr> <td>批准:</td> <td>B.SHEN</td> <td>01-19-2012</td> </tr> <tr> <td>第三角投影</td> <td colspan="2" style="text-align: center;">  </td> </tr> <tr> <td>机密: 本图纸及相关信息所有权归REGAL-BELOIT CORPORATION。未经REGAL-BELOIT CORPORATION书面授权, 不得泄露、复制、传播或作其他用途。--版权所有</td> <td colspan="2"></td> </tr> </table>		绘图:	B.ZHAO	01-19-2012	批准:	B.SHEN	01-19-2012	第三角投影			机密: 本图纸及相关信息所有权归REGAL-BELOIT CORPORATION。未经REGAL-BELOIT CORPORATION书面授权, 不得泄露、复制、传播或作其他用途。--版权所有			<table border="1" style="width:100%; border-collapse: collapse;"> <tr> <td colspan="2" style="text-align: center;">  </td> </tr> <tr> <td colspan="2" style="text-align: center;"> MODEL-RFHP-48FR OUTLINE </td> </tr> <tr> <td>名称</td> <td colspan="2"></td> </tr> <tr> <td>图幅</td> <td>C</td> <td>图号</td> </tr> <tr> <td>比例</td> <td>NONE</td> <td>页号</td> </tr> <tr> <td></td> <td></td> <td>1</td> </tr> </table>				MODEL-RFHP-48FR OUTLINE		名称			图幅	C	图号	比例	NONE	页号			1
绘图:	B.ZHAO	01-19-2012																																	
批准:	B.SHEN	01-19-2012																																	
第三角投影																																			
机密: 本图纸及相关信息所有权归REGAL-BELOIT CORPORATION。未经REGAL-BELOIT CORPORATION书面授权, 不得泄露、复制、传播或作其他用途。--版权所有																																			
																																			
MODEL-RFHP-48FR OUTLINE																																			
名称																																			
图幅	C	图号																																	
比例	NONE	页号																																	
		1																																	