

# PRODUCT INFORMATION PACKET

Model No: 184TTFC6076  
Catalog No: GT1008  
2,1200,TEFC,184T,3/60/208-230/460  
Totally Enclosed Fan Cooled (TEFC)



Regal and Marathon are trademarks of Regal Beloit Corporation or one of its affiliated companies.  
©2018 Regal Beloit Corporation, All Rights Reserved. MC017097E



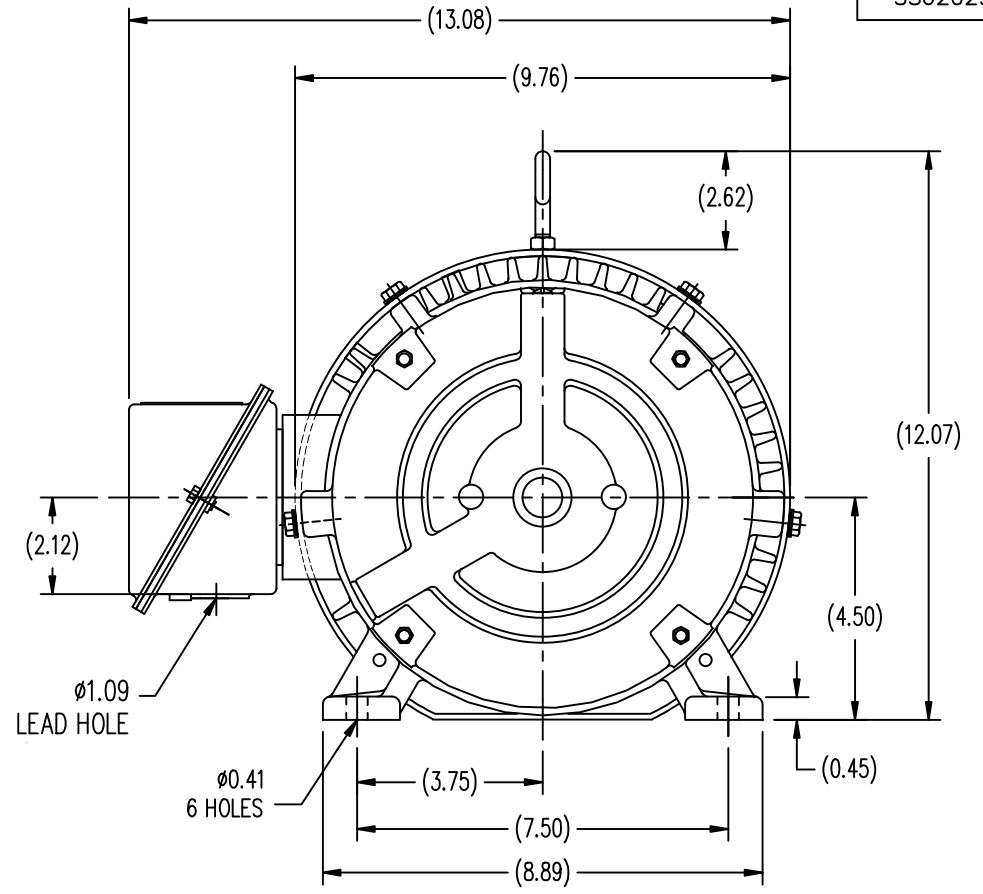
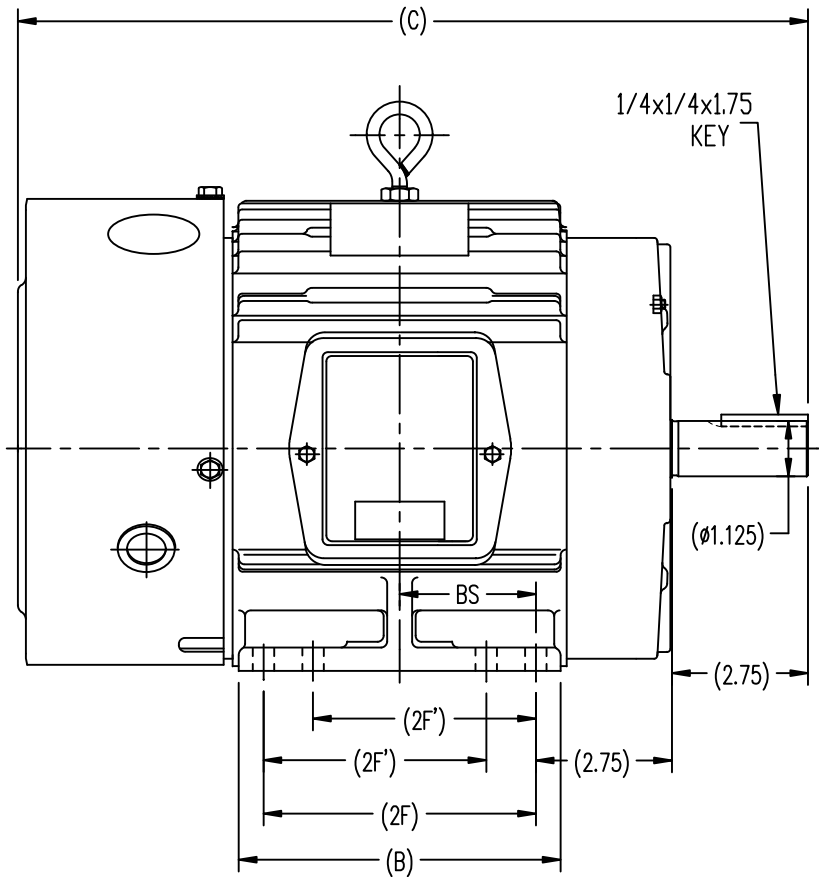
### Nameplate Specifications

Output HP	<b>2 Hp</b>	Output KW	<b>1.5 kW</b>
Frequency	<b>60 Hz</b>	Voltage	<b>230/460 V</b>
Current	<b>6.0/3.0 A</b>	Speed	<b>1182 rpm</b>
Service Factor	<b>1.15</b>	Phase	<b>3</b>
Efficiency	<b>88.5 %</b>	Duty	<b>Continous</b>
Insulation Class	<b>F</b>	Design Code	<b>B</b>
KVA Code	<b>J</b>	Frame	<b>184T</b>
Enclosure	<b>Totally Enclosed Fan Cooled</b>	Overload Protector	<b>No</b>
Ambient Temperature	<b>40 °C</b>	Drive End Bearing Size	<b>6206</b>
Opp Drive End Bearing Size	<b>6205</b>	UL	<b>Recognized</b>
CSA	<b>Y</b>	CE	<b>Y</b>
IP Code	<b>43</b>		

### Technical Specifications

Electrical Type	<b>Squirrel Cage Induction Run</b>	Starting Method	<b>Across The Line</b>
Poles	<b>6</b>	Rotation	<b>Reversible</b>
Mounting	<b>Rigid base</b>	Motor Orientation	<b>Horizontal</b>
Drive End Bearing	<b>Ball</b>	Opp Drive End Bearing	<b>Ball</b>
Frame Material	<b>Cast Iron</b>	Shaft Type	<b>T</b>
Overall Length	<b>14.8 in</b>	Shaft Diameter	<b>1.125 in</b>
Shaft Extension	<b>2.75 in</b>	Assembly/Box Mounting	<b>F1/F2 Capable</b>
Outline Drawing	<b>B-SS620290</b>	Connection Diagram	<b>A-EE7308</b>

This is an uncontrolled document once printed or downloaded and is subject to change without notice. Date Created: 06/29/2018

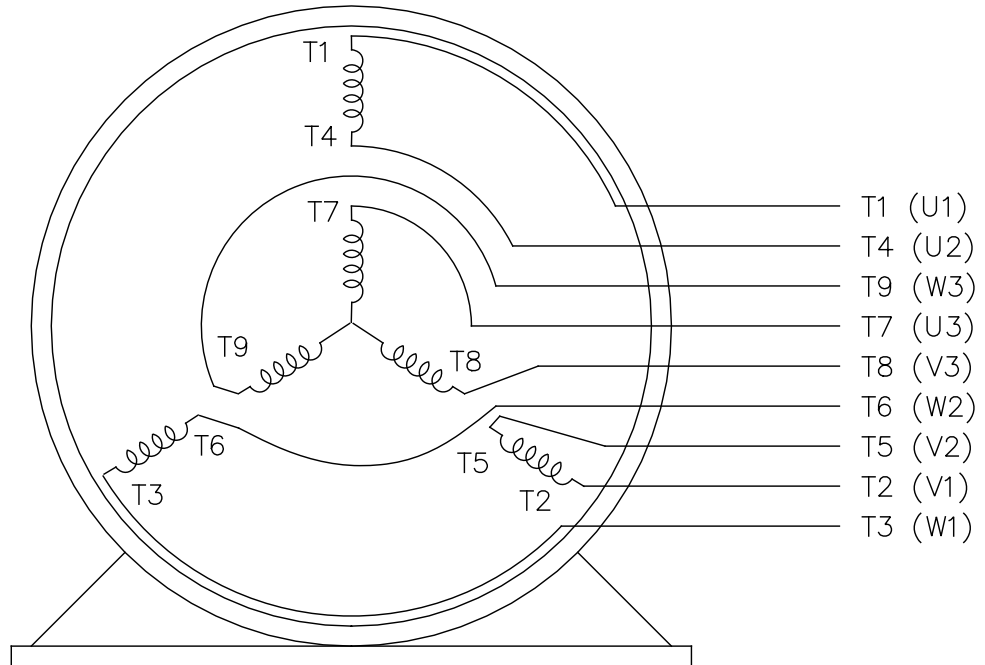


182T	14.80	5.50	4.50	/	2.25
184T	15.81	6.55	5.50	4.50	2.75
FRAME	C	B	2F	2F'	BS

		TOLERANCES UNLESS SPECIFIED				DRAWN HZJ 03-05-2010					
		DEC.	INCHES			CHK ZYH 03-05-2010					
		.X	±.1			APPD CL 03-05-2010					
		.XX	±.03			SCALE 1=2.5					
		.XXX	±.005	TITLE OUTLINE		REF					
		.XXXX	±.0005	MAT'L		FMF HWADA					
		FINISH		PREV							
NO.	REVISION	BY & DATE	CHK	ANG	±1/2-	RFP	CAD FILE	SS620290	SIZE	DRAWING NO.	REV.
THIS DRAWING IN DESIGN AND DETAIL IS OUR PROPERTY AND MUST NOT BE USED EXCEPT IN CONNECTION WITH OUR WORK. ALL RIGHTS OF DESIGN AND INVENTION ARE RESERVED. THIS IS AN ELECTRONICALLY GENERATED DOCUMENT - DO NOT SCALE THIS PRINT.								B	SS620290		

EE7308

THREE PHASE  
DUAL VOLTAGE MOTOR



VIEW OF TERMINAL END

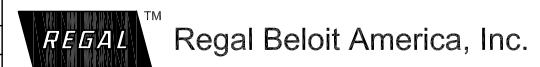
REF.  
WINDING DIAGRAM

T8Y, T2Y, T2BL, T4BX, T2EC, T2G  
T6BZ, T2B, T6BL, T4AV, T6B, T4B

OPTIONAL CORD  
CONNECTION

L1 — WHITE  
L2 — RED  
L3 — BLACK

NO.	REVISION	BY & DATE	CHK	ANG	TOLERANCES UNLESS SPECIFIED	FINISH	PREV
5	CHG TO REGAL LOGO	SL 09/10/2015	AB	DEC.	INCHES		
4	REVISED IEC NOTATIONS	MSG 11/15/2011	CMN	.X	±.1		
3	ADDED IEC NOTATIONS... (U1), (V1) ETC. MU95194	MSG 5/10/2010	MJS	.XX	±.02		
2	ADDED THE OPTIONAL CORD CONNECTION MU46318	RDH 04/24/2003	DRS	.XXX	±.005		
1	REDRAWN	RM 11/20/1990		.XXXX	±.0005		
					±7'30"		
THIS DRAWING IN DESIGN AND DETAIL IS OUR PROPERTY AND MUST NOT BE USED EXCEPT IN CONNECTION WITH OUR WORK ALL RIGHTS OF DESIGN AND INVENTION ARE RESERVED THIS IS AN ELECTRONICALLY GENERATED DOCUMENT - DO NOT SCALE THIS PRINT						RFP	
						DIST WP	
						CAD FILE ee7308	
						SIZE A	
						DRAWING NO. EE7308	
						PAGE OF 5	
						REV. 5	



TITLE CONNECTION DIAGRAM  
3Ø - DUAL VOLTAGE MOTOR

DRAWN RM 11/20/1990  
CHK ML 11/21/1990  
APPD SAS 04/24/2003  
SCALE 1=1  
REF  
FMF  
PREV

CERTIFICATION DATA SHEET

Model#: 184TTFC6076 AA WINDING#: CHT18460001 NONE 1  
 CONN. DIAGRAM: A-EE7308 ASSEMBLY: F1/F2 CAPABLE  
 OUTLINE: B-SS620290

TYPICAL MOTOR PERFORMANCE DATA

HP	KW	SYNC. RPM	F.L. RPM	FRAME	ENCLOSURE	KVA CODE	DESIGN
2&1 1/2	1.49&1.12	1200	1182&985	184T	TEFC	J	B

PH	Hz	VOLTS	FL AMPS	START TYPE	DUTY	INSL	S.F	AMB°C	ELEVATION
3	60/50	230/460#190/ 380	6/3&5.6/2.8	ACROSS THE LINE	CONTINUOU S	F7	1.15/1.15	40	3300

FULL LOAD EFF: 88.5&87.5	3/4 LOAD EFF: 87.5	1/2 LOAD EFF: 85.5	GTD. EFF	ELEC. TYPE	NO LOAD AMPS
FULL LOAD PF: 73&71	3/4 LOAD PF: 66	1/2 LOAD PF: 54	87.5	SQ CAGE IND RUN	3.2 / 1.6

F.L. TORQUE	LOCKED ROTOR AMPS	L.R. TORQUE	B.D. TORQUE	F.L. RISE°C
8.9 LB-FT	40 / 20	14.5 LB-FT 162	23.5 LB-FT 264	40

SOUND PRESSURE @ 3 FT.	SOUND POWER	ROTOR WK^2	MAX. WK^2	SAFE STALL TIME	STARTS /HOUR	APPROX. MOTOR WGT
55 dBA	65 dBA	0.5 LB-FT^2	40 LB-FT^2	25 SEC.	2	130 LBS.

\*\*\* SUPPLEMENTAL INFORMATION \*\*\*

DE BRACKET TYPE	ODE BRACKET TYPE	MOUNT TYPE	ORIENTATION	SEVERE DUTY	HAZARDOUS LOCATION	DRIP COVER	SCREENS	PAINT
STANDARD	STANDARD	RIGID	HORIZONTAL	FALSE	NONE	FALSE	NONE	BLUE (ENAMEL)

BEARINGS		GREASE	SHAFT TYPE	SPECIAL DE	SPECIAL ODE	SHAFT MATERIAL	FRAME MATERIAL
DE	OPE	POLYREX EM	T	NONE	NONE	1045 HOT ROLLED (C-204)	CAST IRON
BALL	BALL						
6206	6205						

THERMO-PROTECTORS				THERMISTORS	CONTROL	SPACE /n HEATERS
THERMOSTATS	PROTECTORS	WDG RTDs	BRG RTDs	NONE	FALSE	NONE VOLTS
NONE	NOT	NONE	NONE			

If Inverter equals NONE, contact factory for further information

\*  
N  
O  
T  
E  
S  
\*

INVERTER TORQUE: NONE	INV. HP SPEED RANGE: NONE
ENCODER: NONE	NONE NONE
NONE NONE PPR	
BRAKE: NONE NONE	NONE P/N NONE
NONE NONE	NONE NONE
NONE FT-LB	NONE V NONE Hz

DATE: 06/28/2017 07:20:11 AM  
 FORM 3531 REV.3 02/07/99  
 \*\* Subject to change without notice.

Data Sheet

Date: 6/19/2017

184TTC6076

Customer:



Submital

Attention:

FAREEDA DUDEKULA

Data @ 460 V

Submitted by:

Motor Load Data

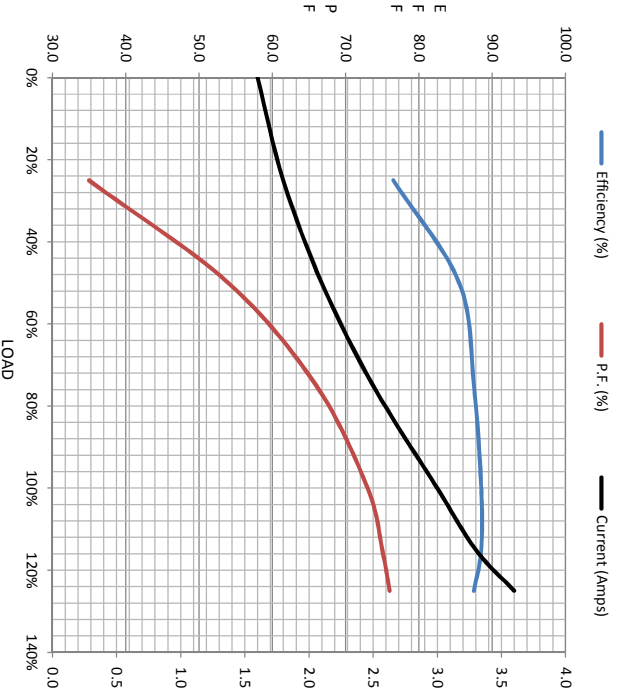
Load	0%	25%	50%	75%	100%	115%	125%	LR
Current (Amps)	1.60	1.80	2.10	2.50	3.0	3.3	3.6	20.0
Torque (ft-lb)	0.00	2.20	4.4	6.7	8.9	10.4	11.2	14.5
RPM	1200	1195	1192	1185	1182	1180	1178	0
Efficiency (%)		76.5	85.5	87.5	88.5	88.5	87.5	
P.F. (%)		8.0	35.0	54.0	66.0	73.0	75.0	33.0

Motor Speed Data

	LR	Pull-Up	BD	Rated	Idle
Speed (rpm)	0	350	1100	1182	1200
Current (Amps)	20.0	17.0	11.0	3.0	1.60
Torque (ft-lb)	14.5	12.5	23.5	8.9	0.00

Information Block

HP	2.0			
Sync. RPM	1200			
Frame	184			
Enclosure	TFC			
Construction	TFC			
Voltage	30/460#190/38 V			
Frequency	60 Hz			
Design	B			
LR Code letter	J			
Service Factor	1.15			
Temp Rise @ FL	40 °C			
Duty	CONT			
Ambient	40 °C			
Elevation	1,000 feet			
Rotor/Shaft wk <sup>e</sup>	0.50 Lb-Fe			
Rel Wdg	CHT18460001 NONE			
Sound Pressure @ 1M	55 dBA			
VFD Rating	NONE			
Outline Dwg	B-SS620290			
Conn. Diag	A-EE7308			
Additional Specifications:				
0				
EQUIV CKT (OHMS / PHASE)				
R1	R2	X1	X2	Xm
2.6980	1.5620	9.3720	12.9220	156.2000



Speed - Torque Curve

