

PRODUCT INFORMATION PACKET



Model No: F1076S
Catalog No: F1076S

Condenser Fans Motor, 3/4 HP, 1 Ph, 60 Hz, 208-230 V, 1075 RPM, 1 Speed, 48 Frame, SEMI ENCLOSED



Regal and Century are trademarks of Regal Rexnord Corporation or one of its affiliated companies.
©2022 Regal Rexnord Corporation, All Rights Reserved. MC017097E





Nameplate Specifications

Output HP	3/4 Hp	Output KW	0.56 kW
Frequency	60 Hz	Voltage	208-230 V
Current	3.5 A	Speed	1075 rpm
Service Factor	1	Phase	1
Duty	Air Over	Insulation Class	B
Frame	48Y	Enclosure	Semi Enclosed
Thermal Protection	Automatic	Ambient Temperature	60 °C
UL	Recognized	CSA	Y
CE	N	Number of Speeds	1

Technical Specifications

Electrical Type	Permanent Split Capacitor	Starting Method	Across The Line
Poles	6	Rotation	Reversible
Mounting	Extended Studs	Motor Orientation	Any
Drive End Bearing	Ball	Opp Drive End Bearing	Ball
Frame Material	Rolled Steel	Shaft Type	Double Flat
Overall Length	12.24 in	Frame Length	4.75 in
Shaft Diameter	0.500 in	Shaft Extension	6.4 in
Connection Drawing	614131-115	Outline Drawing	F1076S-S01

This is an uncontrolled document once printed or downloaded and is subject to change without notice. Date Created:11/28/2022

4

3

2

1

REV	ECO	REV BY	DATE	APPD	DATE
B	0023659	B.ESPINOZA	01-13-2012	S.JIMENEZ	01-13-2012

GENERAL INFORMATION:

SHAFT RUNOUT: .001[.03] T.I.R. PER 1.00[25.4] LENGTH OF EXTENSION.

BEARINGS: BALL

MOUNTING POSITION: HORIZONTAL OR VERTICAL SHAFT UP

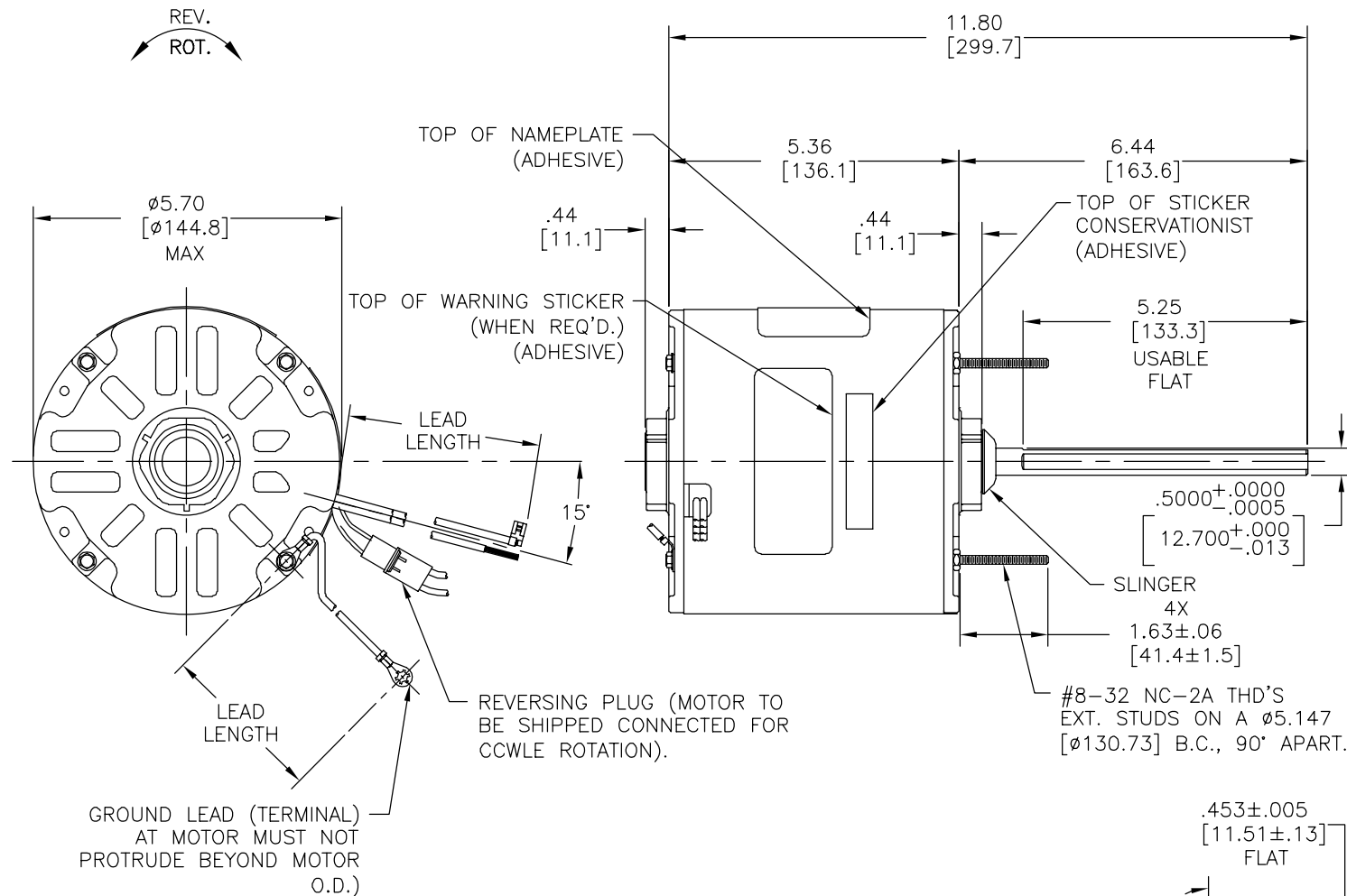
ELECTRICAL DATA:

OVERLOAD PROTECTOR: AUTOMATIC RESET (T.I. 7AM 036)

LEADS: NO. 18 GA. .06[1.5] THK., PVC 105°C INSUL.

REVERSING LEADS: NO. 18 GA. .03[.8] THK., 125°C INSUL.

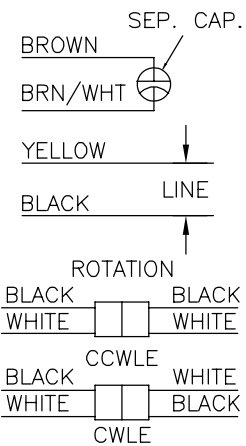
GROUND LEAD: NO. 18 GA. .03[.8] THK., GREEN INSUL.



NAMEPLATE DATA:

EXTERNAL CONNECTION DIAGRAM

MODEL NO.: F48P21A01
 CUST. P/N: F1076S
 HP: 3/4
 ROT.: REVERSIBLE
 RPM: 1075
 TYPE: UF
 FRAME: 48Y
 VOLTS: 208-230
 PH: 1
 AMPS: 3.5 (4.2 MAX.)
 HZ: 60
 INS.: B
 AMB.: 60° C
 DUTY: AIR COVER
 CAP.: 15 MFD/370 V
 ENCL: SEMI-ENCL.
 UL & CSA LOGO
 THERMALLY PROTECTED



614131-115

GREEN (GRD)	12.0/13.0 [305/330]	#10 EYELET
BLACK/WHITE	4.0/6.0 [102/152]	REVERSING PLUG
BROWN/WHITE	26.0/28.0 [660/711]	.25[6.4] FLAG
BROWN	26.0/28.0 [660/711]	.25[6.4] FLAG
YELLOW	26.0/28.0 [660/711]	.50[12.7] SKIN
BLACK	26.0/28.0 [660/711]	.50[12.7] SKIN
COLOR	LENGTH	TERMINAL OR STRIP LENGTH

MAIN FRAME - OLE	ENCLOSED
END FRAME - OLE	ENCLOSED
MAIN FRAME - LE	ENCLOSED
END FRAME - LE	OPEN

CUSTOMER	DISTRIBUTION SERVICE
----------	----------------------

PERFORMANCE CURVE NO.	TORQUE @ 1075 RPM (25°C)	APPROVED SAMPLE	UL COMPONENT		CSA	
C30438	68.8 OZ. FT.	89AC310A	FILE #	CCN #	FILE #	CLASS #
			E46412	PRGY2	LR43341	4211-01

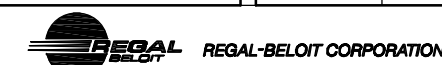
GEOMETRIC CHARACTERISTICS & SYMBOLS
 □ FLATNESS
 — STRAIGHTNESS
 ∠ ANGULARITY
 ⊥ PERPENDICULARITY (SQUARENESS)
 ∥ PARALLELISM
 ○ ROUNDNESS (CIRCULARITY)
 ∅ CYLINDRICITY
 △ PROFILE OF ANY SURFACE
 ∩ PROFILE OF ANY LINE
 ↗ RUNOUT
 ⊕ TRUE POSITION
 ⊙ CONCENTRICITY
 = SYMMETRY
 ASME Y14.5M 1994

REGAL-BELOIT CORPORATION (RBC) PROVIDES TECHNICAL ASSISTANCE TO OUR CUSTOMERS IN SEVERAL AREAS. SINCE RBC DOES NOT RECEIVE ALL DATA CONCERNING THE USE AND APPLICATION OF THE MOTOR, THE SUITABILITY OF THE MOTOR FOR THE APPLICATION MUST BE DETERMINED BY THE CUSTOMER.

DIMENSIONS WITHOUT TOLERANCES ARE FOR REFERENCE ONLY.

DR BY: J.A.RUPERT 05-30-1997
 APPD: V.W.S.

THIRD ANGLE PROJECTION
 EDS DATE 11-11-2011
 FORMAT REV G
 CONFIDENTIAL: THIS DRAWING AND ITS INFORMATION ARE THE EXCLUSIVE AND CONFIDENTIAL PROPERTY OF REGAL-BELOIT CORPORATION AND ARE NOT TO BE DISCLOSED, DUPLICATED, DISTRIBUTED OR OTHERWISE USED WITHOUT THE WRITTEN CONSENT OF REGAL-BELOIT CORPORATION. -ALL RIGHTS RESERVED.



DESCRIPTION
 MODEL-RFHP-48R
 OUTLINE

SIZE C DWG NO F1076S

SCALE NONE SHEET 1

4

3

2

1

4

3

2

1

REVISION:	ECO	REVISADO POR:	FECHA:	APROBADO POR:	FECHA:
B	0023659	B.ESPINOZA	01-13-2012	S.JIMENEZ	01-13-2012

INFORMACION GENERAL:

OSCILACION DE FLECHA: .001[.03] L.T.I. POR 1.00[25.4] LONG. DE EXTENSION.

BALEROS: BOLA

POSICION DEL MONTAJE: HORIZONTAL O VERTICAL FLECHA HACIA ARRIBA

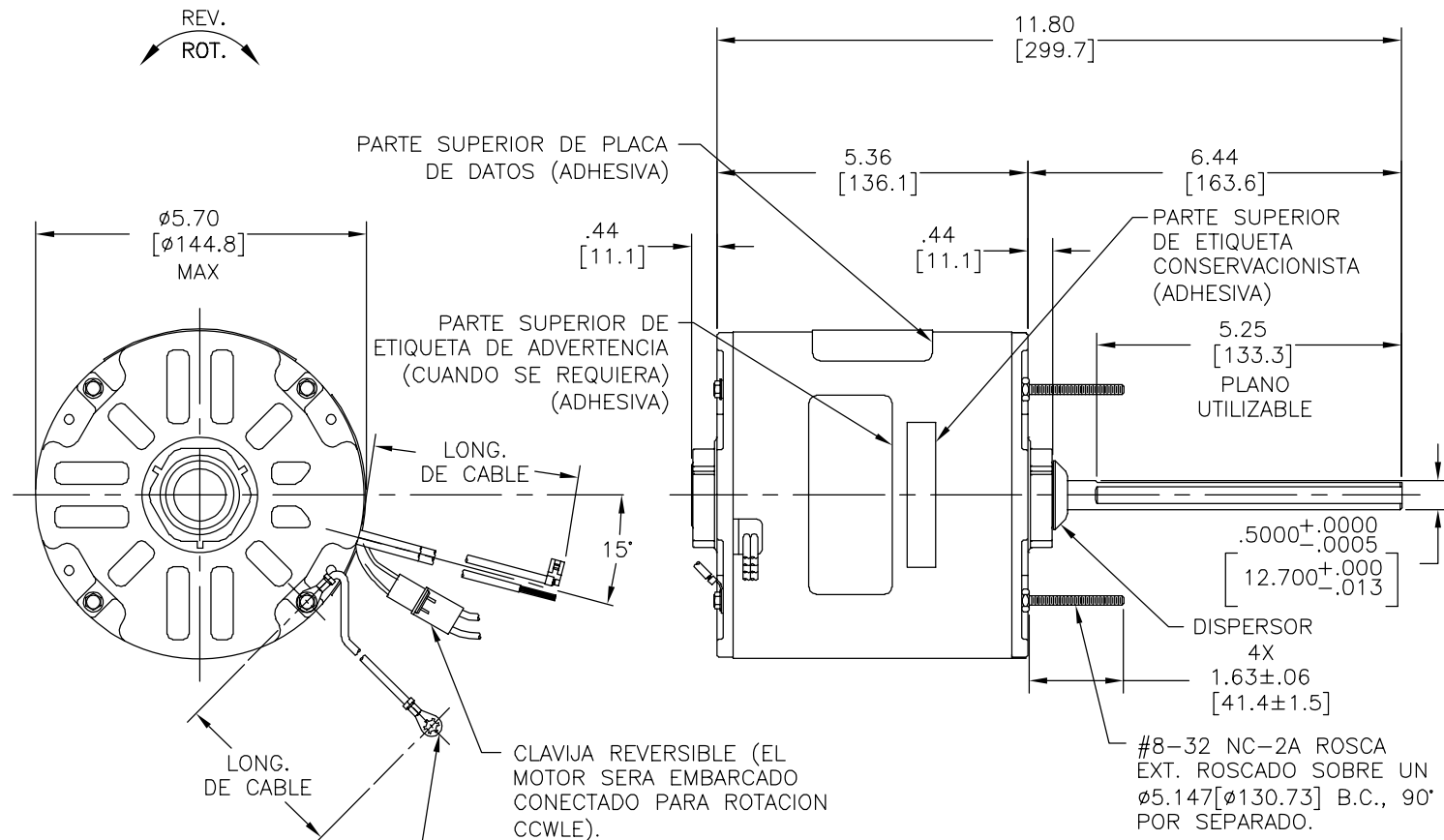
INFORMACION ELECTRICA:

PROTECTOR DE SOBRECARGA: REINICIO AUTOMATICO (T.I. 7AM 036)

CABLES: CALIBRE # 18 .06[1.5] GROSOR, PVC 105°C AISLADOS

REVERSA DE CABLES: CALIBRE # 18 .03[.8] GROSOR, 125°C AISLADOS

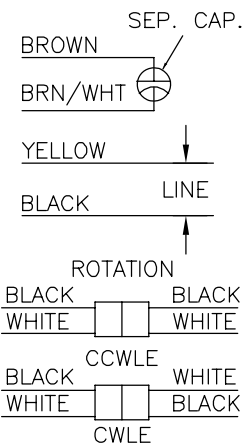
CABLE A TIERRA: CALIBRE # 18 .03[.8] GROSOR, VERDE AISLADO



INFORMACION DE ETIQUETA:

DIAGRAMA DE CONEXION EXTRNA

MODEL NO.: F48P21A01
 CUST. P/N: F1076S
 HP: 3/4
 ROT.: REVERSIBLE
 RPM: 1075
 TYPE: UF
 FRAME: 48Y
 VOLTS: 208-230
 PH: 1
 AMPS: 3.5 (4.2 MAX.)
 HZ: 60
 INS.: B
 AMB.: 60° C
 DUTY: AIR COVER
 CAP.: 15 MFD/370 V
 ENCL: SEMI-ENCL.
 UL & CSA LOGO
 THERMALLY PROTECTED



614131-115

CAFE (TIERRA)	12.0/13.0 [305/330]	#10 OJAL
NEGRO/BLANCO	4.0/6.0 [102/152]	CLAVIJA REVERSIBLE
CAFE/BLANCO	26.0/28.0 [660/711]	.25[6.4] BANDERA
CAFE	26.0/28.0 [660/711]	.25[6.4] BANDERA
AMARILLO	26.0/28.0 [660/711]	.50[12.7] FORRO
NEGRO	26.0/28.0 [660/711]	.50[12.7] FORRO
COLOR	LONGITUD	TERMINAL O LONGITUD DE DESFORRE

CARCASA - LOC	CERRADO
TAPA - LOC	CERRADO
CARCASA - LC	CERRADO
TAPA - LC	ABIERTO

CLIENTE	DISTRIBUTION SERVICE
---------	----------------------

CURVAS DE FUNCIONAMIENTO	TORSION @ 1075 RPM (25°C)	MUESTRA APROBADA	COMPONENTE UL	CSA
C30438	68.8 OZ. FT.	89AC310A	#ARCHIVO PRGY2 LR43341	4211-01

CARACTERISTICAS DE GEOMETRIA Y SIMBOLOS
 □ PLANICIDAD
 — RECTITUD
 < ANGULARIDAD
 ⊥ PERPENDICULARIDAD (A ESCUADRA)
 // PARALELISMO
 ○ REDONDEZ (CIRCULARIDAD)
 ∅ CILINDRICIDAD
 △ PERFIL DE CUALQUIER SUPERFICIE
 ∇ PERFIL DE CUALQUIER LINEA
 ↗ VARIACION
 ⊕ POSICION REAL
 ⊙ CONCENTRICIDAD
 = SIMETRIA
 ASME Y14.5M 1994

REGAL-BELOIT CORPORATION (RBC) PROVEE ASISTENCIA TECNICA A NUESTROS CLIENTES EN VARIAS AREAS. DESDE QUE RBC NO RECIBE TODOS LOS DATOS EN RELACION AL USO Y A LA APLICACION DEL MOTOR, LA APLICACION ADECUADA DEL MOTOR DEBE SER DETERMINADA POR EL CLIENTE.

DIMENSIONES SIN TOLERANCIA SON DE REFERENCIA SOLAMENTE

DIBUJADO POR: J.A.RUPERT
 APROBADO POR: V.W.S.
 TERCER ANGULO DE PROYECCION

05-30-1997
 FECHA EDS: 11-11-2011
 REV. FORMATO: G

CONFIDENCIAL: ESTE DIBUJO Y SU INFORMACION SON PROPIEDAD DE USO EXCLUSIVO Y CONFIDENCIAL DE REGAL-BELOIT CORPORATION. Y NO DEBERAN SER REVELADOS, DUPLICADOS, DISTRIBUIDOS O USARSE DE OTRA MANERA SIN EL CONSENTIMIENTO ESCRITO DE REGAL-BELOIT CORPORATION. -TODOS LOS DERECHOS RESERVADOS.



DESCRIPCION: MODEL-RFHP-48R OUTLINE

TAMAÑO: C NUMERO DE DIBUJO: F1076S

ESCALA: NONE HOJA: 1

4

3

2

1

4

3

2

1

总技术要求:

轴跳动:

轴承:

安装位置:

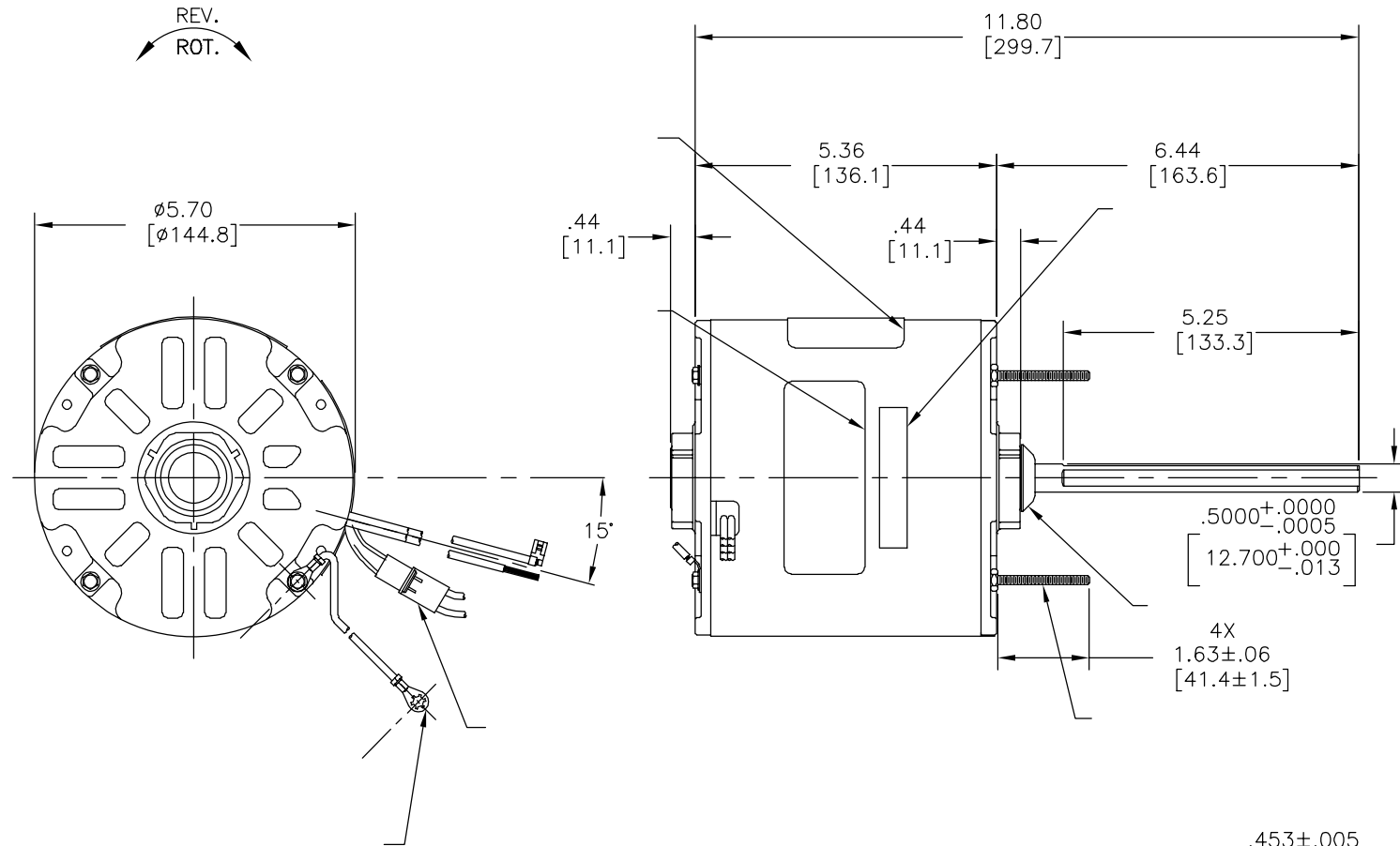
电气数据:

过载保护:

引线:

接地线:

版本	ECO	编制	日期	批准	日期
B	0023659	B.ESPINOZA	01-13-2012	S.JIMENEZ	01-13-2012



铭牌数据	外部数据线
MODEL NO.: F48P21A01 CUST. P/N: F1076S HP: 3/4 ROT.: REVERSIBLE RPM: 1075 TYPE: UF FRAME: 48Y VOLTS: 208-230 PH: 1 AMPS: 3.5 (4.2 MAX.) HZ: 60 INS.: B AMB.: 60° C DUTY: AIR COVER CAP.: 15 MFD/370 V ENCL: SEMI-ENCL. UL & CSA LOGO THERMALLY PROTECTED	SEP. CAP. BROWN BRN/WHT YELLOW BLACK LINE ROTATION BLACK BLACK WHITE WHITE CCWLE WHITE WHITE BLACK CWLE

颜色	长度	端子或剥线长度
	12.0/13.0 [305/330]	
	4.0/6.0 [102/152]	
	26.0/28.0 [660/711]	
	26.0/28.0 [660/711]	
	26.0/28.0 [660/711]	
	26.0/28.0 [660/711]	
	26.0/28.0 [660/711]	

无引线端机壳	
无引线端端盖	
有引线端机壳	
有引线端端盖	

用户	DISTRIBUTION SERVICE
----	----------------------

性能曲线编号	转矩在 @ 1075 RPM (25° C)	批准样品	UL部件	CSA
C30438	68.8 OZ. FT.	89AC310A	文件号 指南	文件号 指南
			E46412 PRGY2	LR43341 4211-01

- 形位公差
- 平面度
- 直线度
- ∠ 倾斜度
- ⊥ 垂直度
- // 平行度
- 圆度
- ⊘ 圆柱度
- △ 面轮廓度
- ⌒ 线轮廓度
- ↗ 圆跳动
- ⊕ 位置度
- ⊙ 同轴度
- ≡ 对称度

REGAL-BELOIT CORPORATION (RBC) 在个别领域为客户提供技术支持。鉴于RBC未收到任何涉及电机使用和应用环境的数据，电机的适用性由客户自己决定。

未注公差尺寸仅供参考。

绘图:	J.A.RUPERT	05-30-1997
批准:	V.W.S.	
第三角投影		图纸格式发布日期 11-11-2011 图纸格式版本 G
机密:	本图纸及相关信息所有权归REGAL-BELOIT CORPORATION 未经REGAL-BELOIT CORPORATION书面授权，不得泄露、复制、传播或作其他用途。—版权所有	

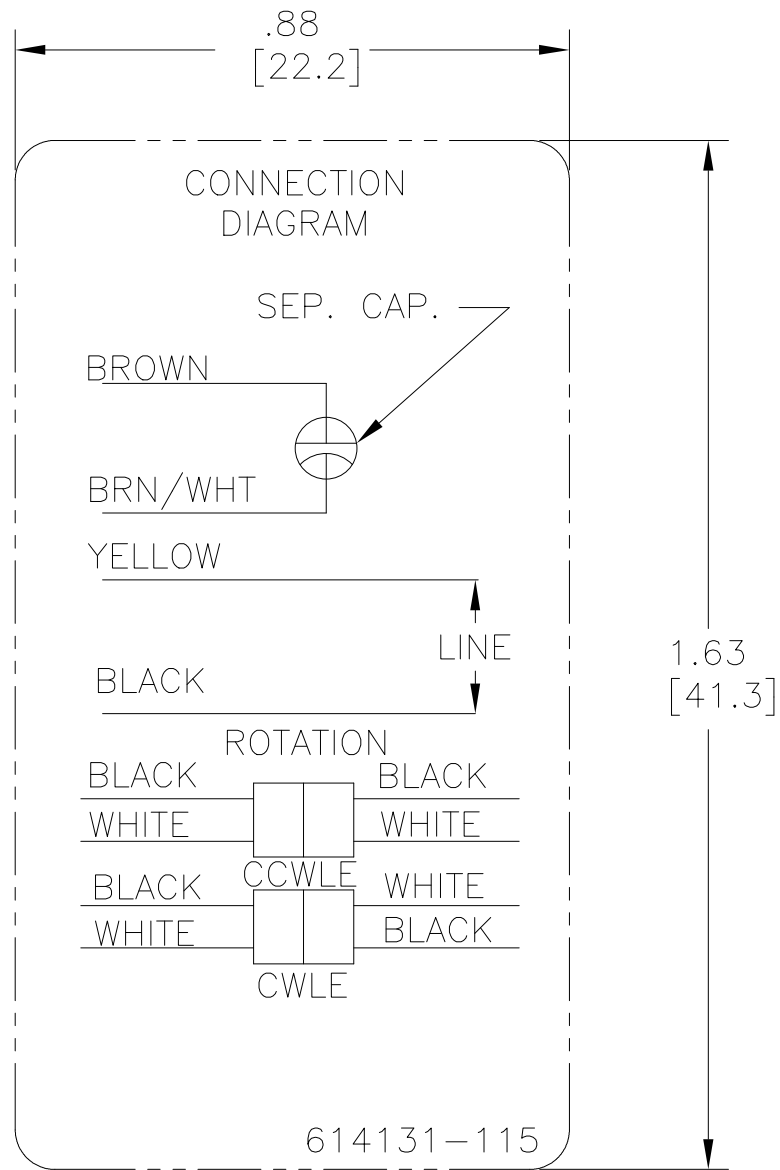
名称	MODEL-RFHP-48R OUTLINE
图幅	C
图号	F1076S
比例	NONE
页号	1

4

3

2

1



NOTES:

1. FOR USE WITH 614129 NAMEPLATE BLANK
2. — — — — — INDICATES DIMENSION LIMITS
3. DIE TO BE MADE FROM MASTER SUPPLIED BY A. O. SMITH CORPORATION

4. DIE MUST PRODUCE A LEGIBLE IMPRESSION

DRAWING REVISION D	REVISION BY J. RUPERT	DATE 09-09-2021
ECO NMR-0210333	APPROVED BY J. RUPERT	DATE 09-09-2021
ECO DESCRIPTION REVISED FOR UP ISSUE		

TOLERANCES UNLESS OTHERWISE SPECIFIED			
DEC.	INCH	mm	ANGLE
.X	±0.1	[±2.5]	±0.5°
.XX	±0.02	[±0.51]	
.XXX	±0.005	[±0.127]	
.XXXX	±0.0005	[±0.0127]	
REMOVE BURRS & BREAK SHARP EDGES .003/.015 [0.076/.381] X 45°			
CORNER FILLETS R.02 [51]			
MACHINED SURFACES			
$\sqrt[125]{\text{INCH}}$ $\sqrt[3.2]{\text{mm}}$			
mm SHOWN IN [BRACKETS]			

DRAWN BY: J. RUPERT	
DATE: 06-24-2010	
APPROVED BY: T. RILEY	
DATE: 06-24-2010	
REFERENCE	
THIRD ANGLE PROJECTION	

Regal Beloit America, Inc.	
DESCRIPTION CONN DIAGRAM EXTERNAL	
MATERIAL	PROCESS/FINISH
SIZE A	DWG NO 614131-115
6 of 6	
SHEET 1	

COPYRIGHT REGAL BELOIT AMERICA, INC. ALL RIGHTS RESERVED. PROPRIETARY AND CONFIDENTIAL INFORMATION - THIS DOCUMENT IS THE PROPERTY OF REGAL BELOIT AMERICA, INC. ("OWNER") AND CONTAINS OWNER'S PROPRIETARY INFORMATION. ANY PERSON, CORPORATION OR OTHER FIRM RECEIVING IT IS DEEMED, BY RECEIVING IT, TO AGREE THAT IT, AND/OR ANY PART OF IT, SHALL NOT BE DISCLOSED TO ANY PERSON, CORPORATION OR OTHER ENTITY, DUPLICATED, AND/OR USED, EXCEPT AS EXPRESSLY APPROVED IN WRITING IN ADVANCE BY OWNER. THIS DOCUMENT SHALL BE RETURNED TO OWNER UPON REQUEST. IT MAY BE SUBJECT TO CERTAIN RESTRICTIONS UNDER APPLICABLE EXPORT CONTROL LAWS AND REGULATIONS.