

PRODUCT INFORMATION PACKET



Model No: FS1076S
Catalog No: FS1076S
3/4 HP Condenser Fan Motor, 1075 RPM, 208-230 Volts, 48 Frame, Semi Enclosed
Condenser Fans Motors



Regal and Century are trademarks of Regal Beloit Corporation or one of its affiliated companies.
©2020 Regal Beloit Corporation, All Rights Reserved. MC017097E





Nameplate Specifications

Output HP	3/4 Hp	Output KW	0.56 kW
Frequency	60 Hz	Voltage	208-230 V
Current	4.8 A	Speed	1075 rpm
Service Factor	1	Phase	1
Duty	Air Over	Insulation Class	B
Frame	48Y	Enclosure	Semi Enclosed
Thermal Protection	Automatic	Ambient Temperature	60 °C
UL	Recognized	CSA	Y
CE	N		

Technical Specifications

Electrical Type	Permanent Split Capacitor	Starting Method	Across The Line
Poles	6	Rotation	Reversible
Mounting	Extended Studs	Motor Orientation	Any
Drive End Bearing	Sleeve	Opp Drive End Bearing	Sleeve
Frame Material	Rolled Steel	Shaft Type	Double Flat
Overall Length	12.53 in	Frame Length	5.00 in
Shaft Diameter	0.500 in	Shaft Extension	6.4 in
Connection Drawing	614131-115	Outline Drawing	FS1076S-S01

This is an uncontrolled document once printed or downloaded and is subject to change without notice. Date Created:22/09/2020

GENERAL INFORMATION:

SHAFT RUNOUT: .001 [.03] T.I.R. PER INCH LENGTH OF EXTENSION

END PLAY: .010 TO .063 [.25 TO 1.60]

BEARINGS: SLEEVE

MOUNTING POSITION: HORIZONTAL OR VERTICAL SHAFT-UP

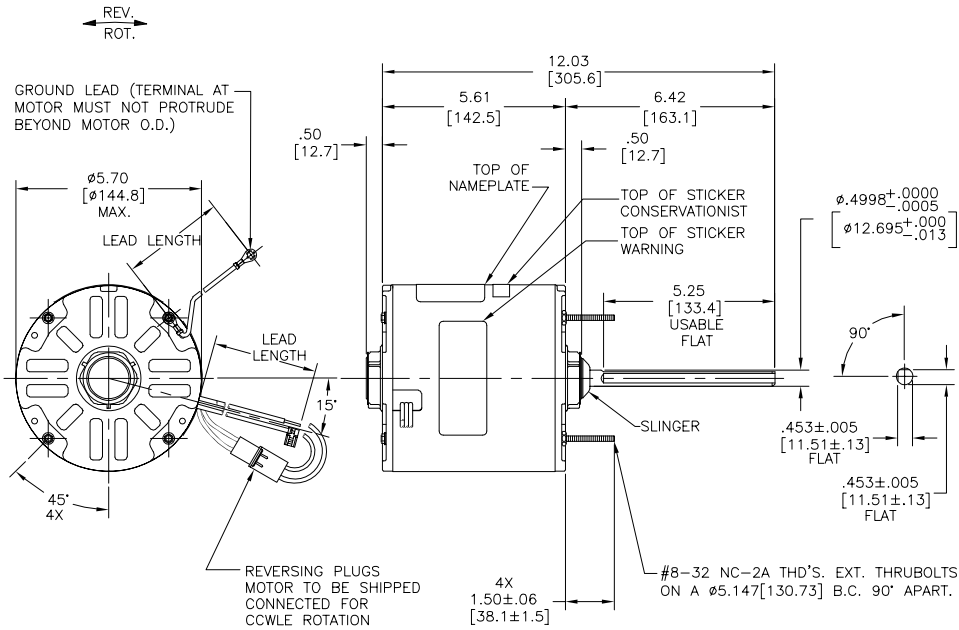
ELECTRICAL DATA:

OVERLOAD PROTECTOR: AUTOMATIC RESET (T.I. 7AM 036)

LINE LEADS: NO. 18 GA., .06 [1.5] THK. PVC 105°C INSUL.

REVERSING LEADS: NO. 18 GA., .03 [.8] THK. XLP 125°C INSUL.

GROUND LEAD: NO. 18 GA., .03 [.8] THK. (GREEN) INSUL.



LEAD DATA		
COLOR	LENGTH	TERMINAL OR STRIP LENGTH
YELLOW	26.0/28.0 [660/711]	.50 [12.7] SKIN
BLACK	26.0/28.0 [660/711]	.50 [12.7] SKIN
BROWN	26.0/28.0 [660/711]	.25 [6.4] FLAG
BROWN/WHITE	26.0/28.0 [660/711]	.25 [6.4] FLAG
GREEN GROUND	12.0/13.0 [305/330]	#10 EYELET
BLACK/WHITE	3.5/5.0 [76/127]	REVERSING PLUG

REGAL-BELOIT CORPORATION (RBC) PROVIDES TECHNICAL ASSISTANCE TO OUR CUSTOMERS IN SEVERAL AREAS. SINCE RBC DOES NOT RECEIVE ALL DATA CONCERNING THE USE AND APPLICATION OF THE MOTOR, THE SUITABILITY OF THE MOTOR FOR THE APPLICATION MUST BE DETERMINED BY THE CUSTOMER.

DIMENSIONS WITHOUT TOLERANCES ARE FOR REFERENCE ONLY.

ENCLOSURE	
END FRAME - LE	OPEN
MAIN FRAME - LE	ENCLOSED
END FRAME - OLE	ENCLOSED
MAIN FRAME - OLE	ENCLOSED

CUSTOMER	DISTRIBUTION SERVICE

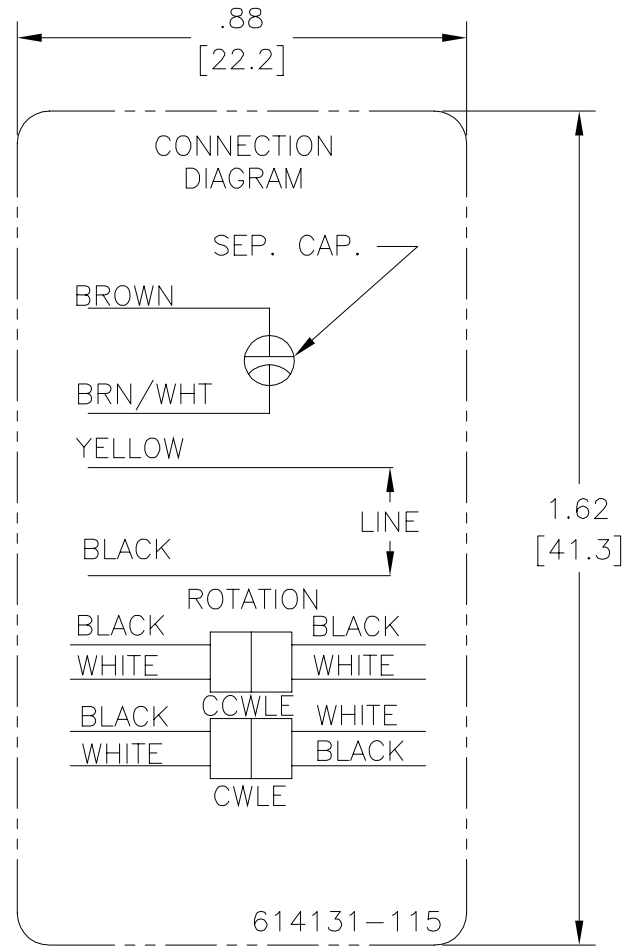
NAMEPLATE DATA:	EXTERNAL CONNECTION DIAGRAM
MODEL NO.: F48SQ6L66 CUST. P/N: FS1076S HP: 3/4 ROT.: REVERSIBLE RPM: 1075 TYPE: UF FRAME: 48Y VOLTS: 208-230 PH: 1 AMPS: 4.8 HZ: 60 INS.: B AMB.: 60°C DUTY: AIR OVER CAP.: 10 MFD/370 V ENCL: SEMI-ENCL UL LOGO CSA LOGO THERMALLY PROTECTED	

PERFORMANCE CURVE NO.	TORQUE @1075 RPM (25°C)	APPROVED SAMPLE	UL COMPONENT FILE #	CCN #	CSA FILE #	CLASS #
C24758	74.0 OZ. FT.	EX12374-1	E46412	PRGY2	LR43341	4211-01

DRAWING REVISION A ECO-0041020 ECO DESCRIPTION CHANGE AMPS	REVISION BY J. COX APPROVED BY C. McREYNOLDS	DATE 11-20-2013 DATE 11-20-2013	TOLERANCES UNLESS OTHERWISE SPECIFIED DEC INCH DIM ANGLE X ±0.1 (±2.5) ±0.5° .XX ±0.02 (±0.81) .XXX ±0.005 (±0.127) .XXXX ±0.0005 (±0.0127) REMOVE BURRS & BREAK SHARP EDGES .002±0.15 (0.76/.381) CORNER/FLETS .02 (1.51) MACHINED SURFACES .125/32 INCH/mm DIM SHOWN IN PARENTS:	DRAWN BY: THACP DATE: 10-24-1995 APPROVED BY: D H C DATE: 10-25-1995 PROCESS/FINISH MATERIAL THIRD ANGLE PROJECTION	REGAL BELoit AMERICA, INC. DESCRIPTION MODEL-RFHP-48FR OUTLINE SIZE (DWG NO) FS1076S	SHEET 1
------------------------------------------------------------------------	-------------------------------------------------------	------------------------------------------	---------------------------------------------------------------------------------------------------------------------------------------------------------------------------------------------------------------------------------------------------------------------------------------------------------------	---------------------------------------------------------------------------------------------------------------------------------------------------	-----------------------------------------------------------------------------------------------------	------------

Uncontrolled Copy

REV	ECO	REV BY	DATE	APPD	DATE
C	0027023	N.HONG	06-25-2012	B.SHEN	06-25-2012

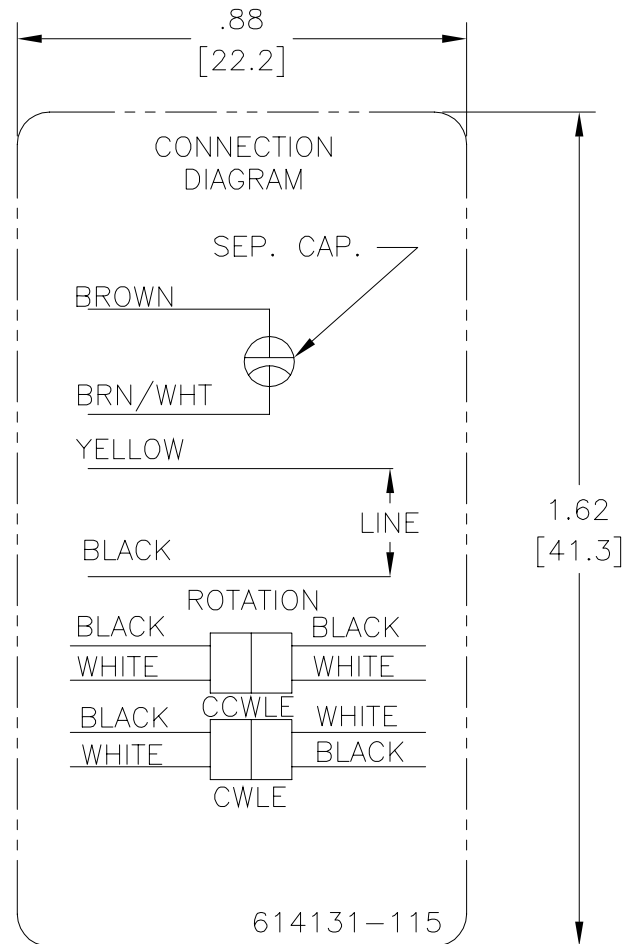


- NOTES:
1. FOR USE WITH 614129 NAMEPLATE BLANK
 2. — — — — — INDICATES DIMENSION LIMITS
 3. DIE TO BE MADE FROM MASTER SUPPLIED BY A. O. SMITH CORPORATION
 4. DIE MUST PRODUCE A LEGIBLE IMPRESSION.

GEOMETRIC CHARACTERISTICS & SYMBOLS ▽ FLATNESS — STRAIGHTNESS ∟ ANGULARITY ⊥ PERPENDICULARITY (SQUARENESS) ∥ PARALLELISM ○ ROUNDNESS (CIRCULARITY) ∅ CYLINDRICITY △ PROFILE OF ANY SURFACE ▽ PROFILE OF ANY LINE ↗ RUNOUT ⊕ TRUE POSITION ⊙ CONCENTRICITY = SYMMETRY	UNLESS OTHERWISE SPECIFIED DIM. TOLERANCES ARE AS FOLLOWS: INCH X XX XXX XXXX ±.1 ±.02 ±.005 ±.0005 mm ±0.5 ±0.13 ±0.013 ANG. ±.50 DEG REMOVE BURRS & BREAK SHARP EDGES: INCH .003-.015 mm 0.1-0.4 CORNER FILLETS TO: INCH .020 mm 0.5 MACHINE SURFACES: INCH 125 mm 3.2 METRIC DIMS. SHOWN IN [BRACKETS]	DR BY: jrupert	06-24-2010	REGAL-BELOIT CORPORATION	
		APPD: triley	06-24-2010		DESCRIPTION CONN DIAGRAM EXTERNAL
		THIRD ANGLE PROJECTION	EDS DATE 11-11-2011 FORMAT REV H	SIZE A	
		CONFIDENTIAL: THIS DRAWING AND ITS INFORMATION ARE THE EXCLUSIVE AND CONFIDENTIAL PROPERTY OF REGAL-BELOIT CORPORATION AND ARE NOT TO BE DISCLOSED, DUPLICATED, DISTRIBUTED OR OTHERWISE USED WITHOUT THE WRITTEN CONSENT OF REGAL-BELOIT CORPORATION. -ALL RIGHTS RESERVED.			

Uncontrolled Copy

REVISION:	ECO	REVISADO POR:	N.HONG	FECHA:	06-25-2012	APROBADO POR:	B.SHEN	FECHA:	06-25-2012
C	0027023								



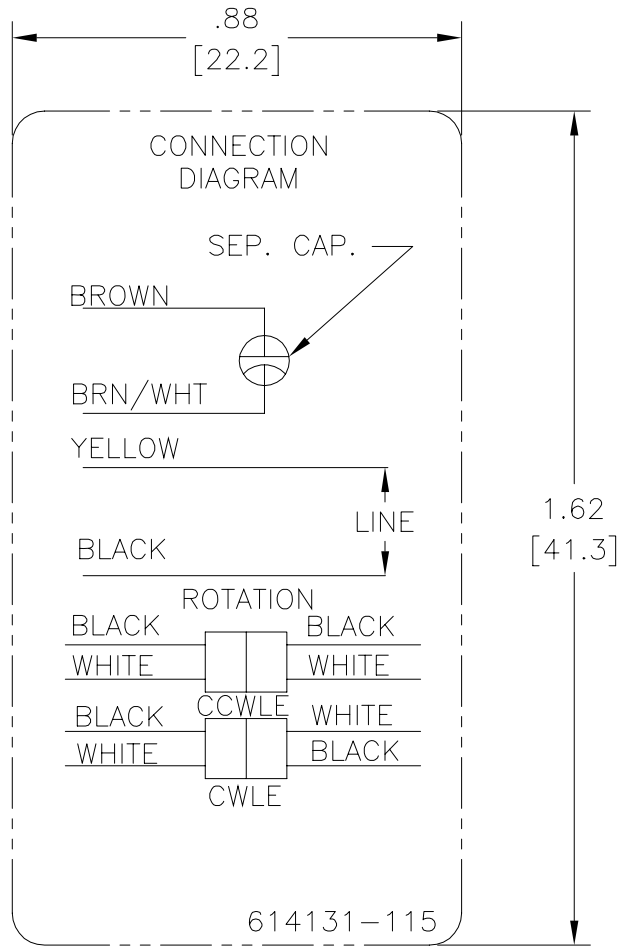
NOTES:

1. FOR USE WITH 614129 NAMEPLATE BLANK
2. ——— ——— INDICATES DIMENSION LIMITS
3. DIE TO BE MADE FROM MASTER SUPPLIED BY A. O. SMITH CORPORATION
4. DIE MUST PRODUCE A LEGIBLE IMPRESSION.

CARACTERISTICAS DE GEOMETRIA Y SIMBOLOS ▽ PLANICIDAD — RECTITUD ∠ ANGULARIDAD ⊥ PERPENDICULARIDAD (A ESCUADRA) // PARALELISMO ○ REDONDEZ (CIRCULARIDAD) ⌀ CILINDRICIDAD △ PERFIL DE CUALQUIER SUPERFICIE ∩ PERFIL DE CUALQUIER LINEA ↗ VARIACION ⊕ POSICION REAL ⊙ CONCENTRICIDAD = SIMETRIA	A MENOS QUE SE ESPECIFIQUE DE OTRA MANERA, LAS TOLERANCIAS DE LAS DIMS. SON LAS SIGUIENTES: PULG ± 1 ± 02 ± 005 ± 0005 mm ± 0.5 ± 0.13 ± 0.013 ANG. ± 50 GRADOS ELIMINAR REBABAS Y ORILLAS FILOSAS DEL BORDE. PULG .003-.015 mm 0.1-0.4 FILETEAR ESQUINA: PULG .020 mm 0.5 MAQUINAR SUPERFICIES PULG $\frac{125}{\sqrt{2}}$ mm $\frac{3.2}{\sqrt{2}}$	DIBUJADO POR: jrupert APROBADO POR: triley TERCER ANGULO DE PROYECCION:	06-24-2010 06-24-2010 FECHA EDS: 11-11-2011 REV. FORMATO: H	REGAL-BELOIT CORPORATION	DESCRIPCION: CONN DIAGRAM EXTERNAL
	CONFIDENCIAL: ESTE DIBUJO Y SU INFORMACION SON PROPIEDAD DE USO EXCLUSIVO Y CONFIDENCIAL DE REGAL-BELOIT CORPORATION Y NO DEBERAN SER REVELADOS, DUPLICADOS, DISTRIBUIDOS O USARSE DE OTRA MANERA SIN EL CONSENTIMIENTO ESCRITO DE REGAL-BELOIT CORPORATION.-TODOS LOS DERECHOS RESERVADOS.				TAMANO: A NUMERO DE DIBUJO: 614131-115
	ASME Y14.5M 1994 DIMS METRICAS MOSTRADAS [PARENTESIS]				ESCALA: NONE HOJA: 1

Uncontrolled Copy

版本	ECO	编制	日期	批准	日期
C	0027023	N.HONG	06-25-2012	B.SHEN	06-25-2012



NOTES:

1. FOR USE WITH 614129 NAMEPLATE BLANK
2. — — — — — INDICATES DIMENSION LIMITS
3. DIE TO BE MADE FROM MASTER SUPPLIED BY A. O. SMITH CORPORATION
4. DIE MUST PRODUCE A LEGIBLE IMPRESSION.

形位公差 □ 平面度 — 直线度 ∠ 倾斜度 ⊥ 垂直度 // 平行度 ○ 圆度 ⊙ 圆柱度 面轮廓度 线轮廓度 圆跳动 ⊕ 位置度 ⊙ 同轴度 ≡ 对称度	除另有注明 尺寸公差如下: 英寸 X XX XXX XXXX ±.1 ±.02 ±.005 ±.0005 毫米 ±0.5 ±0.13 ±0.013 角度 ±.50 度 清理毛刺和尖棱 英寸 .003-.015 毫米 0.1-0.4 内圆角 英寸 .020 毫米 0.5 表面粗糙度 英制 125 米制 3.2 米制尺寸显示在 []	绘图: jrupert 批准: triley 第三角投影	06-24-2010 06-24-2010 11-11-2011 H	REGAL-BELOIT CORPORATION 名称 CONN DIAGRAM EXTERNAL 图幅 A 图号 614131-115 比例 NONE 页号 1
	机密: 本图纸及相关信息所有权归REGAL-BELOIT CORPORATION 未经REGAL-BELOIT CORPORATION书面授权, 不得泄露、 复制、传播或作其他用途。--版权所有			
	ASME Y14.5M 1994			
	比例 NONE 图号 614131-115 页号 1			