

PRODUCT INFORMATION PACKET



Model No: FD1074
Catalog No: FD1074
3/4 HP Fan & Blower Motor, 1625 RPM, 3 Speed, 208-230 Volts, 48 Frame, OAO
Direct Drive Motors



Regal and Century are trademarks of Regal Beloit Corporation or one of its affiliated companies.
©2020 Regal Beloit Corporation, All Rights Reserved. MC017097E

REGAL



Nameplate Specifications

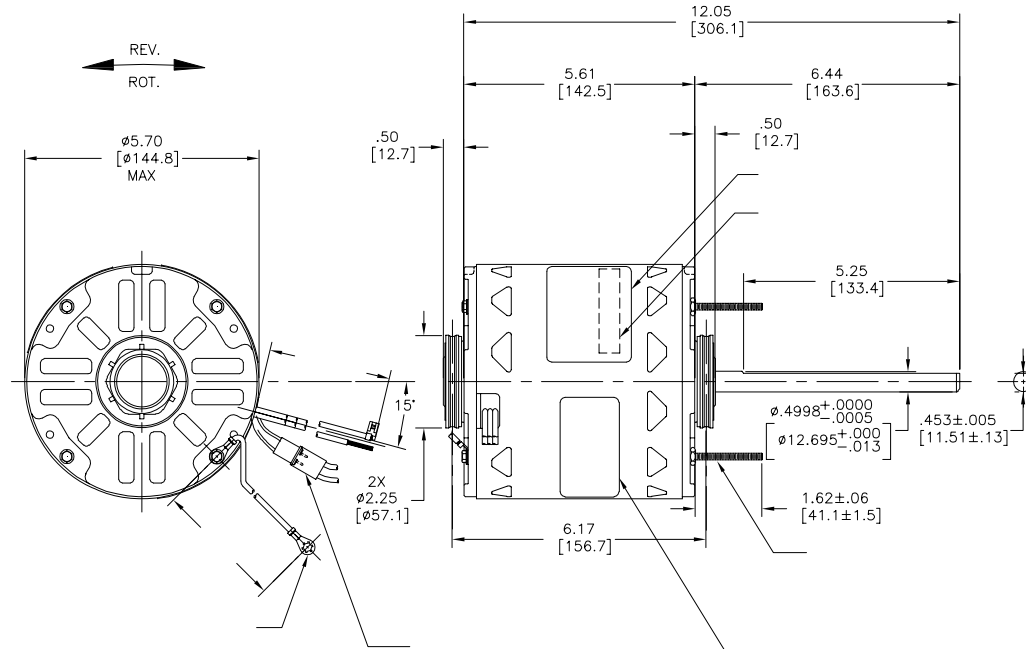
Output HP	3/4 Hp	Output KW	0.56 kW
Frequency	60 Hz	Voltage	208-230 V
Current	4.0 A	Speed	1625 rpm
Service Factor	1	Phase	1
Duty	Air Over	Insulation Class	A
Frame	48Y	Enclosure	Open Enclosed
Thermal Protection	Automatic	Ambient Temperature	40 °C
UL	Recognized	CSA	Y
CE	N		

Technical Specifications

Electrical Type	Permanent Split Capacitor	Starting Method	Across The Line
Poles	4	Rotation	Reversible
Mounting	Resilient Rings	Motor Orientation	Horizontal
Drive End Bearing	Sleeve	Opp Drive End Bearing	Sleeve
Frame Material	Rolled Steel	Shaft Type	Flat
Overall Length	12.55 in	Frame Length	5.00 in
Shaft Diameter	0.500 in	Shaft Extension	6.4 in
Connection Drawing	614131-111	Outline Drawing	FD1074-S01

This is an uncontrolled document once printed or downloaded and is subject to change without notice. Date Created:22/09/2020

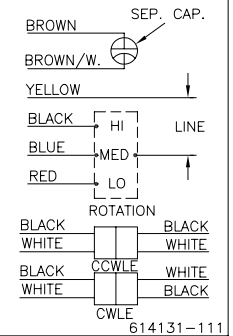
版本	ECO	编制	日期	核准	日期
A	0037127	J.M.RAMIREZ	08-30-2013	G.ALVIDREZ	08-30-2013



	12.0/13.0	
	[305/330]	
	3.0/3.0	
	[76/127]	
	26.0/28.0	
	[660/711]	
	26.0/28.0	
	[660/711]	
	26.0/28.0	
	[660/711]	
	26.0/28.0	
	[660/711]	
	26.0/28.0	
	[660/711]	
	26.0/28.0	
	[660/711]	
COLOR		

DISTRIBUTION SERVICE

MODEL: F48SQ4L7
 CUST. P/N:
 HP: 3/4
 ROT.: REVERSIBLE
 RPM: 1625/3 SPD.
 TYPE: UF
 FRAME: 48Y
 VOLTS: 208-230
 PH: 1
 AMPS: 4.0 (7.0 MAX)
 HZ: 60
 INS.: A
 AMB: 40 °C
 DUTY: AIR OVER
 CAP.: 7.5 MFD/370 V
 ENCL: OPEN
 CSA LOGO
 UL LOGO
 THERMALLY PROTECTED



614131-111

C23340	48.0 OZ. FT.	E46412	PRGY2	LR4334	260-Ø-0
--------	--------------	--------	-------	--------	---------

- 形状公差
- 表面度
- 直线度
- 倾斜度
- 垂直度
- 平行度
- 圆度
- 圆柱度
- 圆跳动
- 位置度
- 同轴度
- 对称度

ASME Y14.5M 1994

REGAL-BELOIT CORPORATION (RBC) 在个别领域为客户提供技术支持。鉴于RBC未收到任何涉及电机使用和应用环境的数据，电机的适用性由客户自己决定。
 未注公差尺寸仅供参考。

制图:	J.M.RAMIREZ	08-30-2013
批准:	CH.MCREYNOLDS	08-30-2013
第二角投影		图纸格式发布日期 11-11-2011
		图纸格式版本 H
机密: 本图纸及相关信息所有权归REGAL-BELOIT CORPORATION。未经REGAL-BELOIT CORPORATION书面授权, 不得泄露、复制或传播作其他用途。--版权所有		

REGAL REGAL-BELOIT CORPORATION

名称 MODEL-RFHP-48FR OUTLINE

图号 C FD1074

比例 NONE

页号 1

REV	ECO	REV BY	DATE	APPD	DATE
A	0037127	J.M.RAMIREZ	08-30-2013	G.ALVIDREZ	08-30-2013

GENERAL INFORMATION:

SHAFT RUNOUT: .001[.03] T.I.R. PER INCH LENGTH OF EXTENSION.

END PLAY: .010[.25] TO .063[1.60]

BEARINGS: SLEEVE

MOUNTING POSITION: HORIZONTAL

ELECTRICAL DATA:

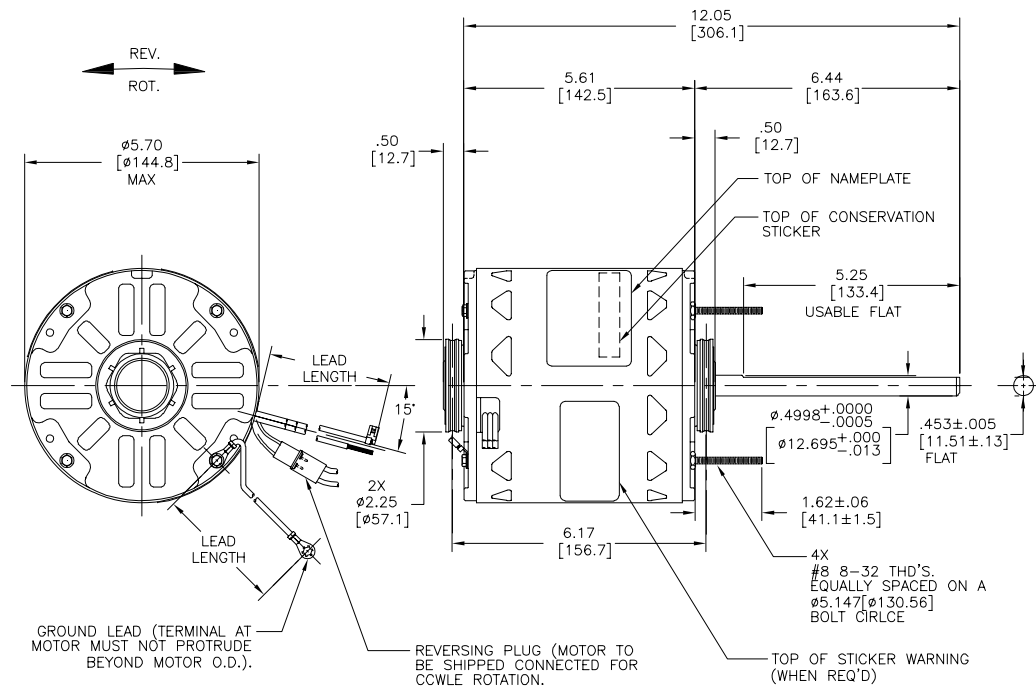
OVERLOAD PROTECTOR: AUTOMATIC RESET (T.I. 7AM 032)

LEADS: NO. 18 GA., .06[1.5] THK. 125°C INSUL.

REVERSING LEADS: NO. 18 GA., .03[.8] THK. 125°C INSUL.

GROUND LEAD: NO. 18 GA., .03[.8] THK., (GREEN) INSUL.

- NOTE:
1. SNAP RINGS 615035(4 REQ'D) TO BE PACKED WITH EACH MOTOR.
 2. DISTRIBUTION: CUST. P/N: FD1074
GRAINGER: CUST. P/N: 4MA94



NAMEPLATE DATA:	EXTERNAL CONNECTION DIAGRAM
MODEL: F48SQ4L7 CUST. P/N: <input type="text"/> HP: 3/4 ROT.: REVERSIBLE RPM: 1625/3 SPD. TYPE: UF FRAME: 48Y VOLTS: 208-230 PH: 1 AMPS: 4.0 (7.0 MAX) HZ: 60 INS.: A AMB: 40 °C DUTY: AIR OVER CAP.: 7.5 MFD/370 V ENCL: OPEN CSA LOGO UL LOGO THERMALLY PROTECTED	SEP. CAP. BROWN BROWN/W. YELLOW BLACK HI LINE BLUE MED RED LO ROTATION BLACK WHITE WHITE WHITE BLACK CW/LE WHITE WHITE BLACK CWLE 614131-111

COLOR	LENGTH	TERMINAL OR STRIP LENGTH
GREEN(GRD)	12.0/13.0 [305/330]	#10 EYELET
BLACK/WHITE	3.0/3.0 [76/127]	REVERSING PLUG
BROWN	26.0/28.0 [660/711]	.25[6.4] FLAG
BROWN/WHITE	26.0/28.0 [660/711]	.25[6.4] FLAG
YELLOW	26.0/28.0 [660/711]	.50[12.7] SKIN
BLACK	26.0/28.0 [660/711]	.50[12.7] SKIN
BLUE	26.0/28.0 [660/711]	.50[12.7] SKIN
RED	26.0/28.0 [660/711]	.50[12.7] SKIN

MAIN FR.-OLE	OPEN
END FR.-OLE	OPEN
MAIN FR.-LE	OPEN
END FR.-LE	OPEN

PERFORMANCE CURVE NO.	TORQUE @1625 RPM (25°C)	APPROVED SAMPLE	UL COMPONENT	CSA
C23340	48.0 OZ. FT.	EX11402	E46412 PRGY2	LR4334 260-ø-0

GEOMETRIC CHARACTERISTICS & SYMBOLS

- FLATNESS
- STRAIGHTNESS
- ANGULARITY
- PERPENDICULARITY (SQUARENESS)
- PARALLELISM
- ROUNDNESS (CIRCULARITY)
- CYLINDRICITY
- PROFILE OF ANY SURFACE
- PROFILE OF ANY LINE
- RUNOUT
- TRUE POSITION
- CONCENTRICITY
- SYMMETRY

ASME Y14.5M 1994

REGAL-BELOIT CORPORATION (RBC) PROVIDES TECHNICAL ASSISTANCE TO OUR CUSTOMERS IN SEVERAL AREAS. SINCE RBC DOES NOT RECEIVE ALL DATA CONCERNING THE USE AND APPLICATION OF THE MOTOR, THE SUITABILITY OF THE MOTOR FOR THE APPLICATION MUST BE DETERMINED BY THE CUSTOMER.

DIMENSIONS WITHOUT TOLERANCES ARE FOR REFERENCE ONLY.

DR BY: J.M.RAMIREZ 08-30-2013

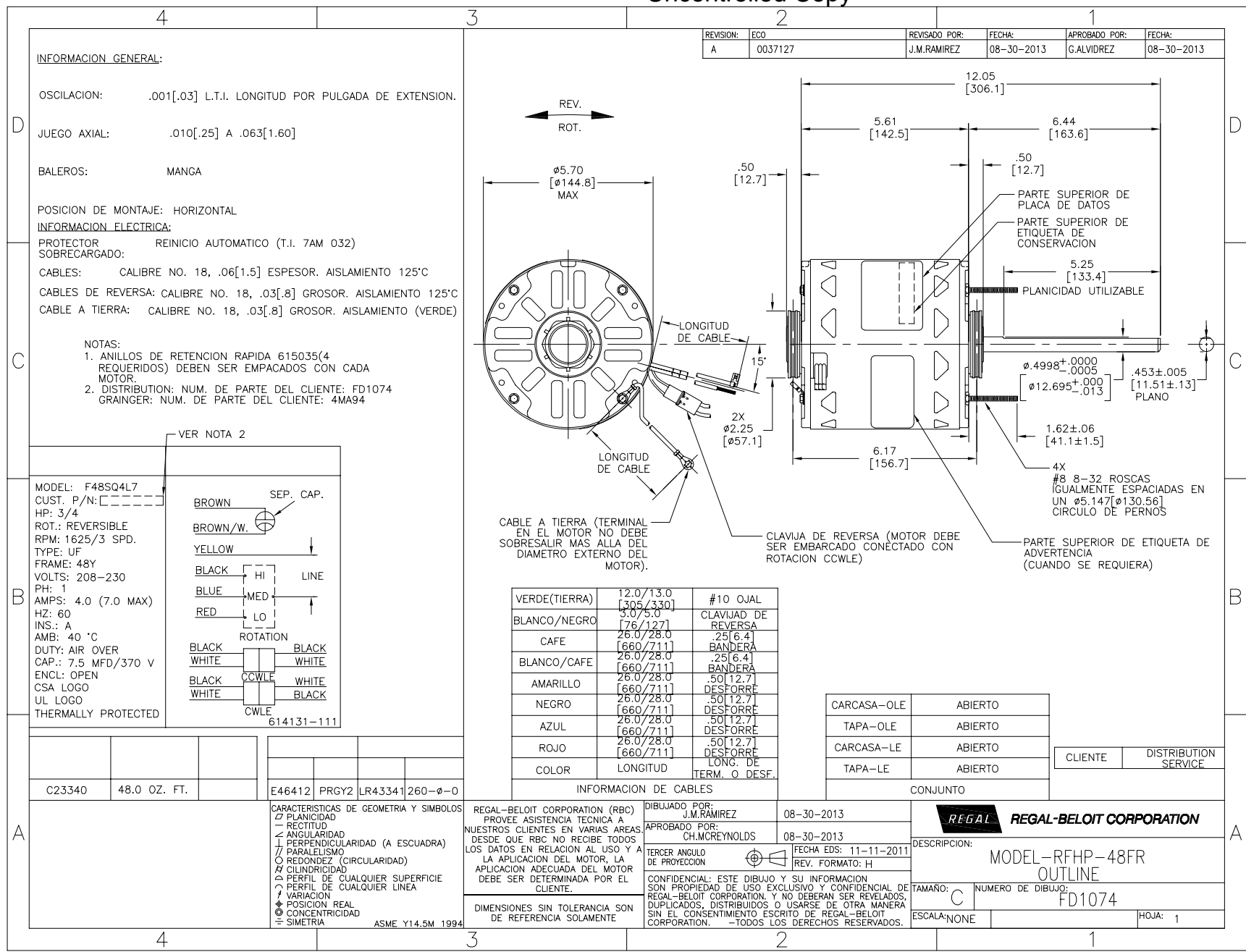
APPD: CH.MCREYNOLDS 08-30-2013

THRD ANGLE PROJECTION

EDS DATE 11-11-2011
FORMAT REV H

CONFIDENTIAL: THIS DRAWING AND ITS INFORMATION ARE THE EXCLUSIVE AND CONFIDENTIAL PROPERTY OF REGAL-BELOIT CORPORATION AND ARE NOT TO BE DISCLOSED, DUPLICATED, DISTRIBUTED OR OTHERWISE USED WITHOUT THE WRITTEN CONSENT OF REGAL-BELOIT CORPORATION. -ALL RIGHTS RESERVED.

REGAL-BELOIT CORPORATION	
DESCRIPTION MODEL-RFHP-48FR OUTLINE	
SIZE C	DWG NO FD1074
SCALE NONE	SHEET 1



INFORMACION GENERAL:

OSCILACION: .001[.03] L.T.I. LONGITUD POR PULGADA DE EXTENSION.

JUEGO AXIAL: .010[.25] A .063[1.60]

BALEROS: MANGA

POSICION DE MONTAJE: HORIZONTAL

INFORMACION ELECTRICA:

PROTECTOR REINICIO AUTOMATICO (T.I. 7AM 032)

SOBRECARGADO:

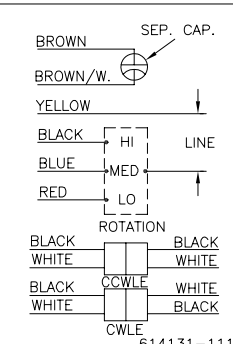
CABLES: CALIBRE NO. 18, .06[1.5] ESPESOR. AISLAMIENTO 125°C

CABLES DE REVERSA: CALIBRE NO. 18, .03[.8] GROSOR. AISLAMIENTO 125°C

CABLE A TIERRA: CALIBRE NO. 18, .03[.8] GROSOR. AISLAMIENTO (VERDE)

- NOTAS:**
- ANILLOS DE RETENCION RAPIDA 615035(4 REQUERIDOS) DEBEN SER EMPACADOS CON CADA MOTOR.
 - DISTRIBUTION: NUM. DE PARTE DEL CLIENTE: FD1074
GRAINGER: NUM. DE PARTE DEL CLIENTE: 4MA94

MODEL: F48SQ4L7
CUST. P/N:
HP: 3/4
ROT.: REVERSIBLE
RPM: 1625/3 SPD.
TYPE: UF
FRAME: 48Y
VOLTS: 208-230
PH: 1
AMPS: 4.0 (7.0 MAX)
HZ: 60
INS.: A
AMB: 40 °C
DUTY: AIR OVER
CAP.: 7.5 MFD/370 V
ENCL: OPEN
CSA LOGO
UL LOGO
THERMALLY PROTECTED



VERDE(TIERRA)	12.0/13.0 [305/330]	#10 OJAL
BLANCO/NEGRO	3.0/3.0	CLAVIJA DE REVERSA
CAFE	26.0/28.0 [660/711]	.25[6.4] BANDERA
BLANCO/CAFE	26.0/28.0 [660/711]	.25[6.4] BANDERA
AMARILLO	26.0/28.0 [660/711]	.50[12.7] DESFORRE
NEGRO	26.0/28.0 [660/711]	.50[12.7] DESFORRE
AZUL	26.0/28.0 [660/711]	.50[12.7] DESFORRE
ROJO	26.0/28.0 [660/711]	.50[12.7] DESFORRE
COLOR	LONGITUD	LONG. DE TERM. O DESF.

CARCASA-OLE	ABIERTO
TAPA-OLE	ABIERTO
CARCASA-LE	ABIERTO
TAPA-LE	ABIERTO

CLIENTE	DISTRIBUTION SERVICE
---------	----------------------

INFORMACION DE CABLES

C23340 48.0 OZ. FT. E46412 PRGY2 LR43341 260-Ø-0

CARACTERISTICAS DE GEOMETRIA Y SIMBOLOS

- PLANICIDAD
- RECTITUD
- ANGULARIDAD
- PERPENDICULARIDAD (A ESQUADRA)
- PARALELISMO
- REDONDEZ (CIRCULARIDAD)
- CILINDRICIDAD
- PERFIL DE CUALQUIER SUPERFICIE
- PERFIL DE CUALQUIER LINEA
- VARIACION
- POSICION REAL
- CONCENTRICIDAD
- SIMETRIA

ASME Y14.5M 1994

REGAL-BELOIT CORPORATION (RBC) PROVEE ASISTENCIA TECNICA A NUESTROS CLIENTES EN VARIAS AREAS, DESDE QUE RBC NO RECIBE TODOS LOS DATOS EN RELACION AL USO Y A LA APLICACION DEL MOTOR, LA APLICACION ADECUADA DEL MOTOR DEBE SER DETERMINADA POR EL CLIENTE.

DIMENSIONES SIN TOLERANCIA SON DE REFERENCIA SOLAMENTE

DIBUJADO POR: J.M.RAMIREZ 08-30-2013

APROBADO POR: CH.MC'REYNOLDS 08-30-2013

TERCER ANGULO DE PROYECCION

FECHA EDS: 11-11-2011
REV. FORMATO: H

CONFIDENCIAL: ESTE DIBUJO Y SU INFORMACION SON PROPIEDAD DE USO EXCLUSIVO Y CONFIDENCIAL DE REGAL-BELOIT CORPORATION, Y NO DEBERAN SER REVELADOS, DUPLICADOS, DISTRIBUIDOS O USARSE DE OTRA MANERA SIN EL CONSENTIMIENTO ESCRITO DE REGAL-BELOIT CORPORATION. -TODOS LOS DERECHOS RESERVADOS.

REGAL-BELOIT CORPORATION

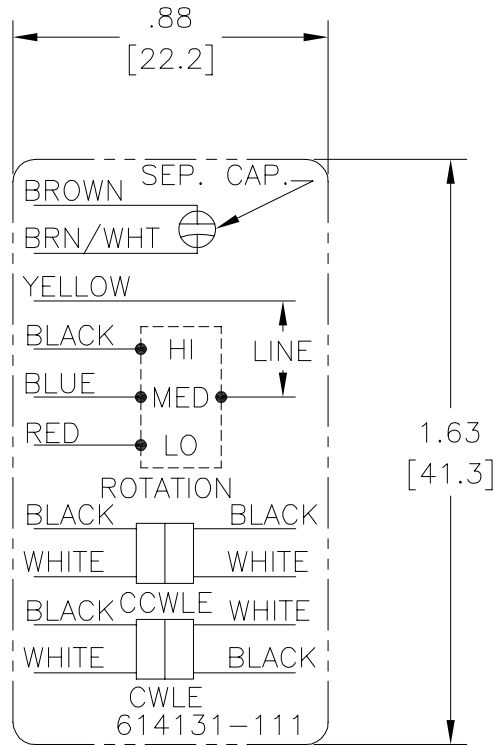
DESCRIPCION: MODEL-RFHP-48FR OUTLINE

TAMANO: C NUMERO DE DIBUJO: FD1074

ESCALA: NONE HOJA: 1

Uncontrolled Copy

REV	ECO	REV BY	DATE	APPD	DATE
B	ECO-0014509	jrupert	05-25-2010	triley	05-25-2010



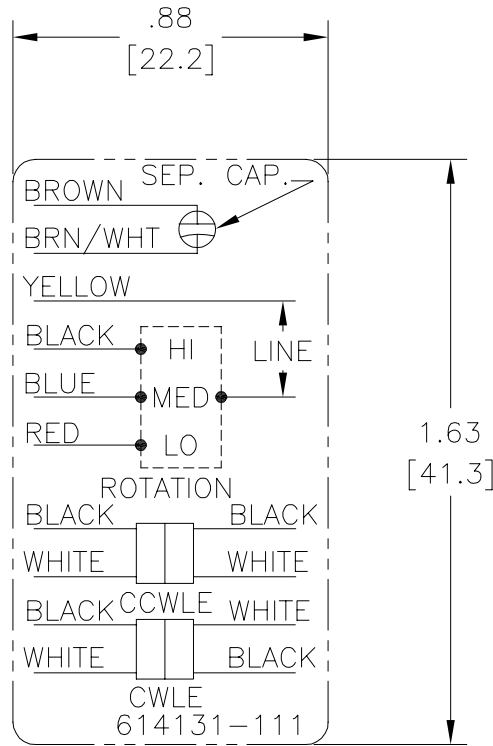
NOTES:

1. FOR USE WITH 614129 NAMEPLATE BLANK
2. — — — — — INDICATES DIMENSION LIMITS
3. DIE TO BE MADE FROM MASTER SUPPLIED BY A. O. SMITH CORPORATION
4. DIE MUST PRODUCE A LEGIBLE IMPRESSION.

GEOMETRIC CHARACTERISTICS & SYMBOLS ▽ FLATNESS — STRAIGHTNESS ∠ ANGULARITY ⊥ PERPENDICULARITY (SQUARENESS) ∥ PARALLELISM ○ ROUNDNESS (CIRCULARITY) ⌀ CYLINDRICITY △ PROFILE OF ANY SURFACE ▽ PROFILE OF ANY LINE ↗ RUNOUT ⊕ TRUE POSITION ⊙ CONCENTRICITY = SYMMETRY	UNLESS OTHERWISE SPECIFIED DIM. TOLERANCES ARE AS FOLLOWS: INCH X XX XXX XXXX ±.1 ±.02 ±.005 ±.0005 mm ±0.5 ±0.13 ±0.013 ANG. ±.50 DEG REMOVE BURRS & BREAK SHARP EDGES: INCH .003-.015 mm 0.1-0.4 CORNER FILLETS TO: INCH .020 mm 0.5 MACHINE SURFACES: INCH 125 mm 3.2 METRIC DIMS. SHOWN IN [BRACKETS]	DR BY: jrupert APPD: triley THIRD ANGLE PROJECTION	05-25-2010 05-25-2010 EDS DATE 02-22-2008 FORMAT REV F	ELECTRICAL PRODUCTS COMPANY <small>A DIVISION OF A. O. SMITH CORPORATION</small>	DESCRIPTION CONN DIAGRAM EXTERNAL
				SIZE A	DWG NO 614131-111
			SCALE NONE	SHEET 1	

Uncontrolled Copy

REVISION:	ECO	REVISADO POR:	FECHA:	APROBADO POR:	FECHA:
B	ECO-0014509	jrupert	05-25-2010	triley	05-25-2010



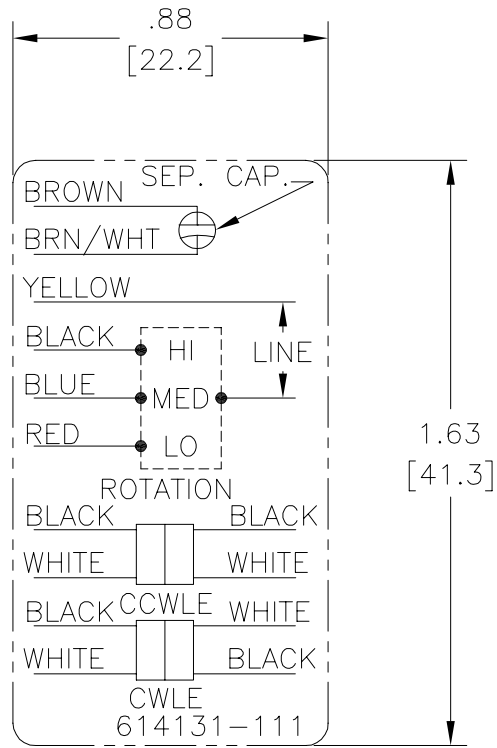
NOTES:

1. FOR USE WITH 614129 NAMEPLATE BLANK
2. — — — — — INDICATES DIMENSION LIMITS
3. DIE TO BE MADE FROM MASTER SUPPLIED BY A. O. SMITH CORPORATION
4. DIE MUST PRODUCE A LEGIBLE IMPRESSION.

CARACTERISTICAS DE GEOMETRIA Y SIMBOLOS Z PLANICIDAD — RECTITUD < ANGULARIDAD ⊥ PERPENDICULARIDAD (A ESCUADRA) // PARALELISMO ○ REDONDEZ (CIRCULARIDAD) ∅ CILINDRICIDAD △ PERFIL DE CUALQUIER SUPERFICIE ∩ PERFIL DE CUALQUIER LINEA / VARIACION ⊕ POSICION REAL ⊙ CONCENTRICIDAD = SIMETRIA	A MENOS QUE SE ESPECIFIQUE DE OTRA MANERA, LAS TOLERANCIAS DE LAS DIMS. SON LAS SIGUIENTES: X XX XXX XXXX PULG ±.1 ±.02 ±.005 ±.0005 mm ±0.5 ±0.13 ±0.013 ANG. ±.50 GRADOS ELIMINAR REBABAS Y ORILLAS FILOSAS DEL BORDE. PULG .003-.015 mm 0.1-0.4 FILETEAR ESQUINA: PULG .020 mm 0.5 MAQUINAR SUPERFICIES PULG 125 mm 3.2 DIMS METRICAS MOSTRADAS [PARENTESIS]	DIBUJADO POR: jrupert 05-25-2010 APROBADO POR: triley 05-25-2010 TERCER ANGULO DE PROYECCION FECHA EDS: 02-22-2008 REV. FORMATO: F	ELECTRICAL PRODUCTS COMPANY <small>A DIVISION OF A. O. SMITH CORPORATION</small> DESCRIPCION: <h2 style="text-align: center;">CONN DIAGRAM EXTERNAL</h2>
	CONFIDENCIAL: ESTE DIBUJO Y SU INFORMACION SON PROPIEDAD DE USO EXCLUSIVO Y CONFIDENCIAL DE A.O.SMITH CORP. Y NO DEBERAN SER REVELADOS, DUPLICADOS, DISTRIBUIDOS O USARSE DE OTRA MANERA SIN EL CONSENTIMIENTO ESCRITO DE A.O. SMITH CORP. -TODOS LOS DERECHOS RESERVADOS.ASME Y14.5M 1994	TAMAÑO: A NUMERO DE DIBUJO: 614131-111	ESCALA: NONE HOJA: 1

Uncontrolled Copy

版本	ECO	编制	日期	批准	日期
B	ECO-0014509	jrupert	05-25-2010	triley	05-25-2010



NOTES:

1. FOR USE WITH 614129 NAMEPLATE BLANK
2. — — — — — INDICATES DIMENSION LIMITS
3. DIE TO BE MADE FROM MASTER SUPPLIED BY A. O. SMITH CORPORATION
4. DIE MUST PRODUCE A LEGIBLE IMPRESSION.

形位公差 □ 平面度 — 直线度 ∠ 倾斜度 ⊥ 垂直度 // 平行度 ○ 圆度 ⊙ 圆柱度 面轮廓度 线轮廓度 圆跳动 位置度 同轴度 ≡ 对称度	除另有注明 尺寸公差如下: 英寸 X XX XXX XXXX 毫米 ±.1 ±.02 ±.005 ±.0005 毫米 ±0.5 ±0.13 ±0.013 角度 ±.50 度 清理毛刺和尖棱 英寸 .003-.015 毫米 0.1-0.4 内圆角 英寸 .020 毫米 0.5 表面粗糙度 英制 125 米制 3.2 米制尺寸显示在 []	绘图: jrupert 批准: triley 第三角投影	05-25-2010 05-25-2010 图纸格式发布日期 02-22-2008 图纸格式版本 F	ELECTRICAL PRODUCTS COMPANY <small>A DIVISION OF A. O. SMITH CORPORATION</small> 名称 <h2 style="margin: 0;">CONN DIAGRAM EXTERNAL</h2>	
	机密: 本图纸及相关信息所有权归A. O. SMITH公司所有。未经A. O. SMITH公司书面授权, 不得泄露、复制、传播或作其他用途。--版权所有 ASME Y14.5M 1994				图幅 A
					图号 614131-111
					比例 NONE 页号 1