

PRODUCT INFORMATION PACKET



Model No: 289
Catalog No: 289
50 WATT Refrigeration Motor, 1500 RPM, 115 Volts, Unit Bearing, TEAO
Unit Bearing Motors



Regal and Century are trademarks of Regal Beloit Corporation or one of its affiliated companies.
©2020 Regal Beloit Corporation, All Rights Reserved. MC017097E





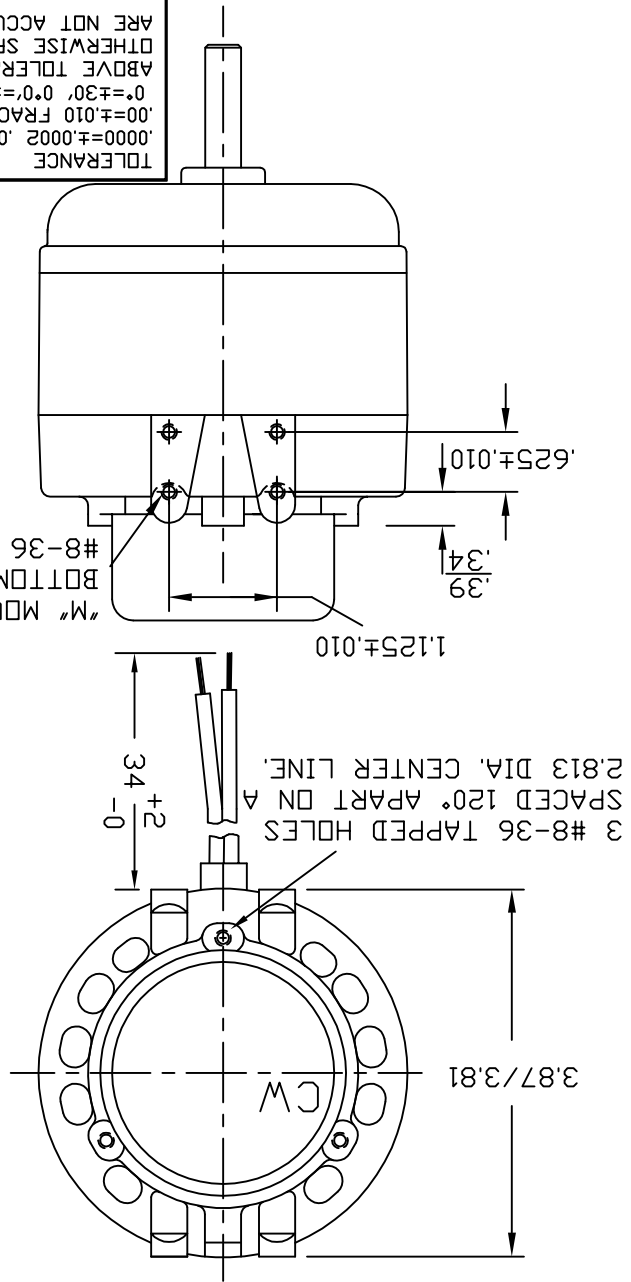
Nameplate Specifications

Output Watts	50 W	Frequency	60 Hz
Voltage	115 V	Current	1.7 A
Speed	1500 rpm	Service Factor	1
Phase	1	Duty	Continuous
Insulation Class	A	Frame	UNIT BEARING
Enclosure	Totally Enclosed Air Over	Thermal Protection	Thermally Protected
Ambient Temperature	40 °C	UL	Recognized
CSA	Y	CE	N

Technical Specifications

Electrical Type	Shaded Pole	Starting Method	Across The Line
Poles	4	Rotation	Clockwise Lead End
Mounting	2 BOSS/OSE 3 HOLES	Drive End Bearing	Unit
Opp Drive End Bearing	Unit	Frame Material	Cast Iron
Shaft Type	Flat	Frame Length	4.61 in
Shaft Diameter	0.375 in	Shaft Extension	1.6 in
Outline Drawing	289-S01		

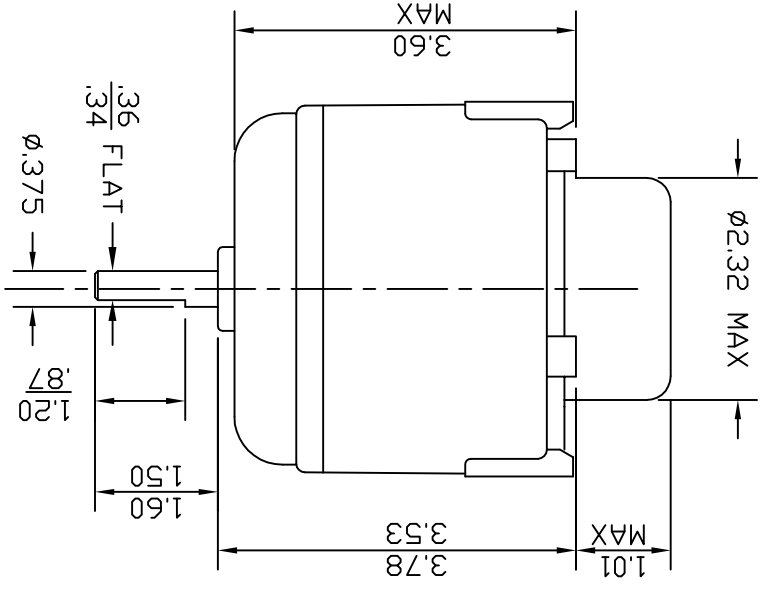
This is an uncontrolled document once printed or downloaded and is subject to change without notice. Date Created:22/06/2020



TOLERANCE
 .0000±.0002 .000±.005
 .00±.010 FRACTION=1/64
 0°±30', 0°0'±5', 0°0'±REF. ONLY
 ABOVE TOLERANCES APPLY UNLESS
 OTHERWISE SPECIFIED. TOLERANCES
 ARE NOT ACCUMULATIVE.

ELECTRIC MOTORS AND SPECIALTIES INC.		115V 60HZ		GARRETT, INDIANA 46738	
FIRST MADE FOR		ESP-DL50EM13		Regal Beloit EPC	
MATERIAL		CUST NO. 289		APPROVED BY DATE	
DRAWN BY		DATE		SCALE	
JIM NICHTER		11-08-93		1/2 SIZE	
TITLE		MOTOR OUTLINE			
NO. A-21975					

OUTLINE DIMENSIONS ON WHICH NO LIMIT IS SPECIFIED ARE NOMINAL AND NOT GUARANTEED AS TO TOLERANCE. ADDITIONAL INFORMATION ON TOLERANCE WILL BE FURNISHED ON SPECIFIC REQUEST.



NO. A-21975

NO.	REVISIONS	DATE AND SIGNATURE
1	ADDED DIM JDN	3-24-94
2	CUST NAME WAS MAGNETEK	6-7-02
3	removed 60/50HZ	6-11-02
4	ADDED MAX DIM'S	1-26-04
5	WAS A. D. SMITH	8-31-11