

# PRODUCT INFORMATION PACKET



Model No: 276  
Catalog No: 276  
50 WATT Refrigeration Motor, 1500 RPM, 230 Volts, Unit Bearing,TEAO  
Unit Bearing Motors



Regal and Century are trademarks of Regal Beloit Corporation or one of its affiliated companies.  
©2020 Regal Beloit Corporation, All Rights Reserved. MC017097E





**Nameplate Specifications**

Output Watts	<b>50 W</b>	Frequency	<b>60 Hz</b>
Voltage	<b>230 V</b>	Current	<b>0.85 A</b>
Speed	<b>1500 rpm</b>	Service Factor	<b>1</b>
Phase	<b>1</b>	Duty	<b>Continuous</b>
Insulation Class	<b>A</b>	Frame	<b>UNIT BEARING</b>
Enclosure	<b>Totally Enclosed Air Over</b>	Thermal Protection	<b>Thermally Protected</b>
Ambient Temperature	<b>40 °C</b>	UL	<b>Recognized</b>
CSA	<b>Y</b>	CE	<b>N</b>

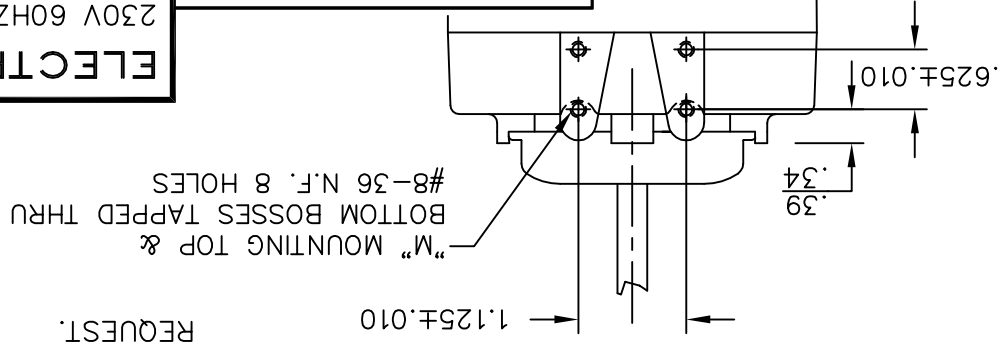
**Technical Specifications**

Electrical Type	<b>Shaded Pole</b>	Starting Method	<b>Across The Line</b>
Poles	<b>4</b>	Rotation	<b>Counterclockwise Lead End</b>
Mounting	<b>2 BOSS/OSE 3 HOLES</b>	Drive End Bearing	<b>Unit</b>
Opp Drive End Bearing	<b>Unit</b>	Frame Material	<b>Cast Iron</b>
Shaft Type	<b>Flat</b>	Frame Length	<b>4.25 in</b>
Shaft Diameter	<b>0.312 in</b>	Shaft Extension	<b>2 in</b>
Outline Drawing	<b>276-S01</b>		

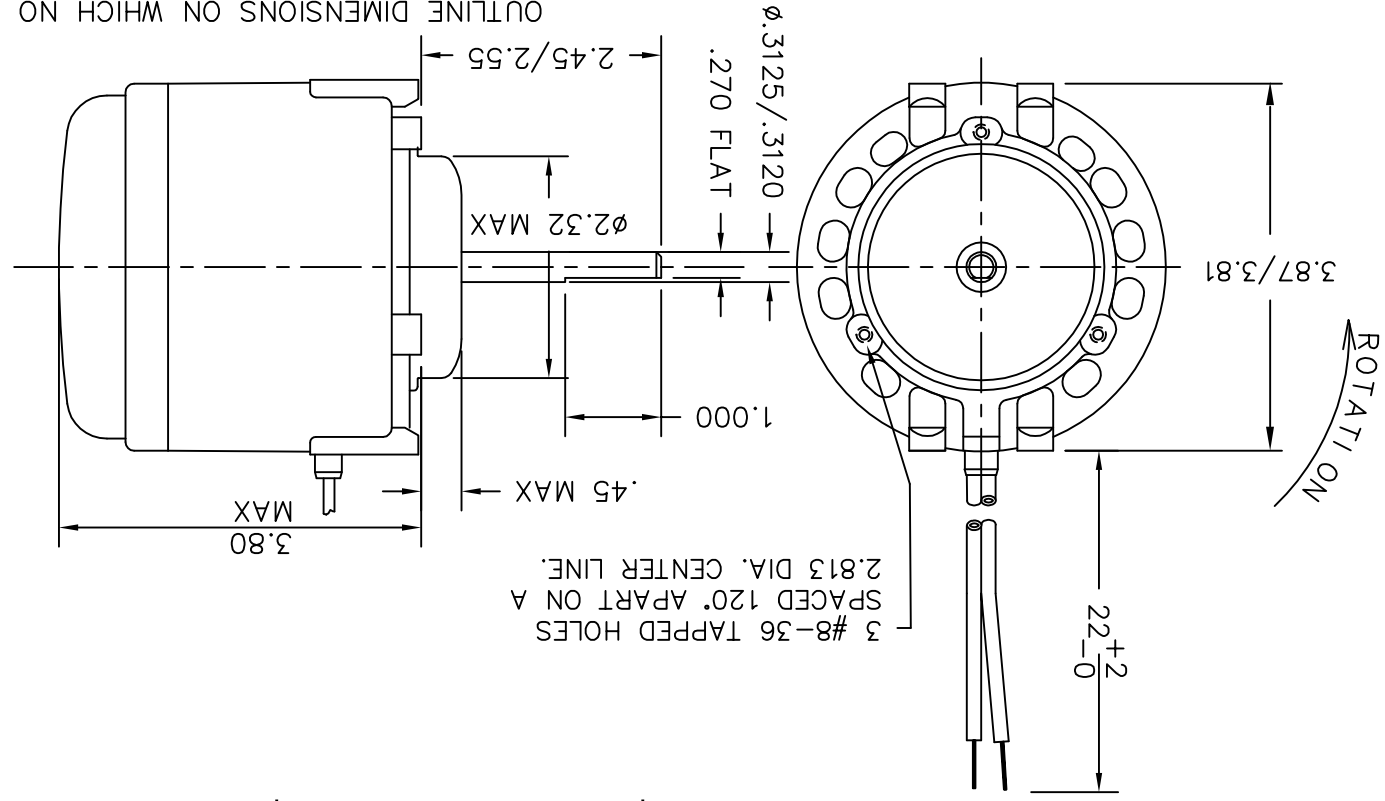
This is an uncontrolled document once printed or downloaded and is subject to change without notice. Date Created:22/06/2020

ELECTRIC MOTORS AND SPECIALTIES INC.		230V 60HZ CCW GARRETT, INDIANA 46738	
FIRST MADE FOR		ESP-OL50EMJR21 Regal Beloit EPC	
MATERIAL		CUST. 276	
APPROVED BY		DATE	
SCALE		1/2 SIZE	
DRAWN BY		DATE	
TITLE		MOTOR OUTLINE	
NO. A-23435			

TOLERANCE  
 .0000±.0002, .000±.005  
 .00±.010 FRACTION=±1/64  
 0±.30', 0.0±.5', 0.0"=REF. ONLY  
 ABOVE TOLERANCES APPLY UNLESS  
 OTHERWISE SPECIFIED TOLERANCES  
 ARE NOT ACCUMULATIVE.



OUTLINE DIMENSIONS ON WHICH NO LIMIT IS SPECIFIED ARE  
 NOMINAL AND NOT GUARANTEED AS TO TOLERANCE. ADDITIONAL  
 INFORMATION ON TOLERANCE WILL BE FURNISHED ON SPECIFIC  
 REQUEST.



NO.	REVISIONS	DATE AND SIGNATURE
1	CORRECTED LEAD VIEW	5-29-98
2	CUST NAME WAS MAGNETEK	6-07-02
3	ADDED MAX DIM'S	2-3-04
4	LEAD WAS 9865-1-A	9-7-05
5	WAS A.O. SMITH	8-31-11

NO. A-23435