

# PRODUCT INFORMATION PACKET



Model No: 290  
Catalog No: 290  
50 WATT Refrigeration Motor, 1500 RPM, 460 Volts, Unit Bearing,TEAO  
Unit Bearing Motors



Regal and Century are trademarks of Regal Beloit Corporation or one of its affiliated companies.  
©2020 Regal Beloit Corporation, All Rights Reserved. MC017097E





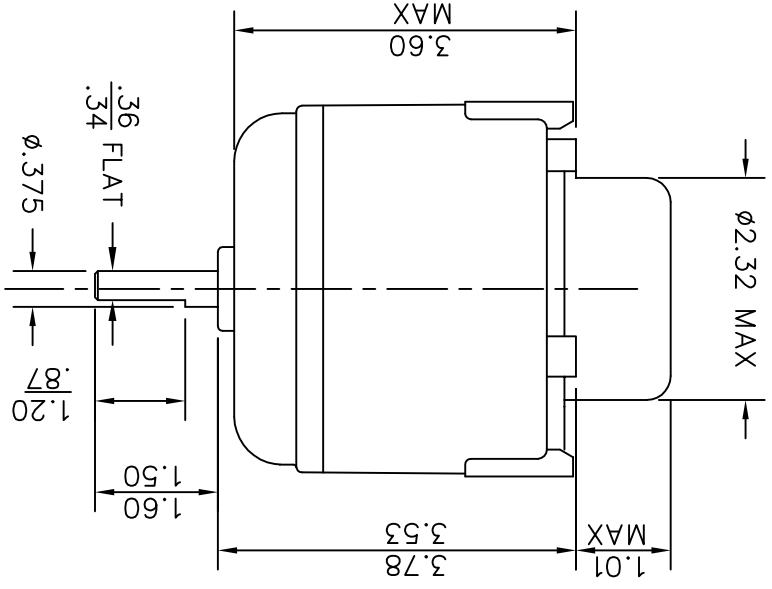
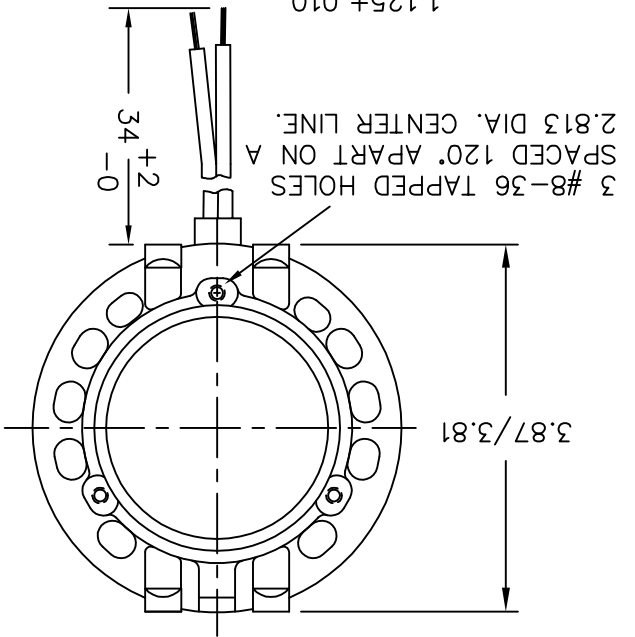
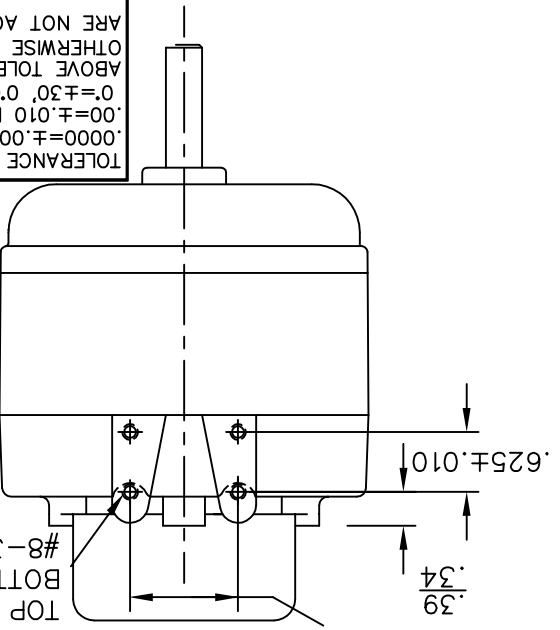
**Nameplate Specifications**

Output Watts	<b>50 W</b>	Frequency	<b>60 Hz</b>
Voltage	<b>460 V</b>	Current	<b>0.44 A</b>
Speed	<b>1500 rpm</b>	Service Factor	<b>1</b>
Phase	<b>1</b>	Duty	<b>Continuous</b>
Insulation Class	<b>A</b>	Frame	<b>UNIT BEARING</b>
Enclosure	<b>Totally Enclosed Air Over</b>	Thermal Protection	<b>Thermally Protected</b>
Ambient Temperature	<b>40 °C</b>	UL	<b>Recognized</b>
CSA	<b>Y</b>	CE	<b>N</b>

**Technical Specifications**

Electrical Type	<b>Shaded Pole</b>	Starting Method	<b>Across The Line</b>
Poles	<b>4</b>	Rotation	<b>Clockwise Lead End</b>
Mounting	<b>2 BOSS/OSE 3 HOLES</b>	Drive End Bearing	<b>Unit</b>
Opp Drive End Bearing	<b>Unit</b>	Frame Material	<b>Cast Iron</b>
Shaft Type	<b>Flat</b>	Frame Length	<b>4.79 in</b>
Shaft Diameter	<b>0.375 in</b>	Shaft Extension	<b>1.6 in</b>
Outline Drawing	<b>290-S01</b>		

This is an uncontrolled document once printed or downloaded and is subject to change without notice. Date Created:22/06/2020



TOLERANCE  
 .0000±.0002 .000±.005  
 .00±.010 FRACTION=±1/64  
 0.±.30' 0.0'=±5' 0.0'0"=REF. ONLY  
 ABOVE TOLERANCES APPLY UNLESS  
 OTHERWISE SPECIFIED TOLERANCES  
 ARE NOT ACCUMULATIVE.

ELECTRIC MOTORS AND SPECIALTIES INC.			
460V 60HZ CW GARRETT, INDIANA 46738			
FIRST MADE FOR	MATERIAL	CUST NO. 290	
ESP-OL50EM461 Regal Beloit EPC		APPROVED BY	DATE
DRAWN BY	DATE	SCALE	1/2 SIZE
JIM NICHTER	1-19-96		
TITLE MOTOR OUTLINE			
NO. A-23570			

OUTLINE DIMENSIONS ON WHICH NO LIMIT IS SPECIFIED ARE NOMINAL AND NOT GUARANTEED AS TO TOLERANCE. ADDITIONAL INFORMATION ON TOLERANCE WILL BE FURNISHED ON SPECIFIC REQUEST.

NO. A-23570

NO.	REVISIONS	DATE AND SIGNATURE
1	MOTOR WAS 440V	8-26-97
2	CUST WAS MAGNETEK	6-7-02
3	REMOVED 60/50HZ	6-11-02
4	ADDED MAX DIM'S	2-6-04
5	WAS A. O. SMITH	8-31-11